

# KNIVES FOR INDUSTRIAL SEWING MACHINES

## 工业缝纫机刀类



2023-2024 PRODUCT CATALOGUE  
we always bring you the BEST

# 工业缝纫机刀类

## KNIVES FOR INDUSTRIAL SEWING MACHINES

INDUSTRIAL SEWING MACHINES SPARE PARTS

### FOR BROTHER/兄弟

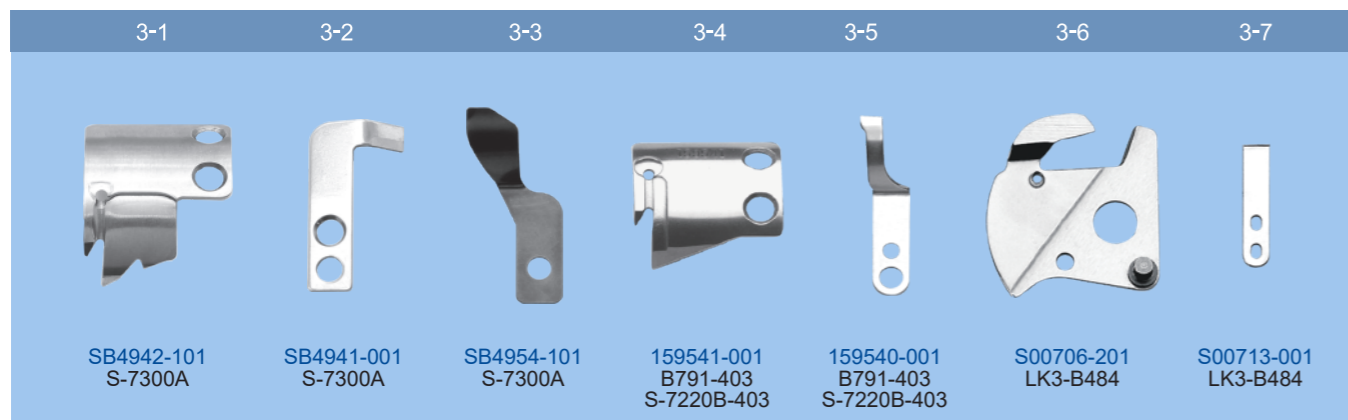
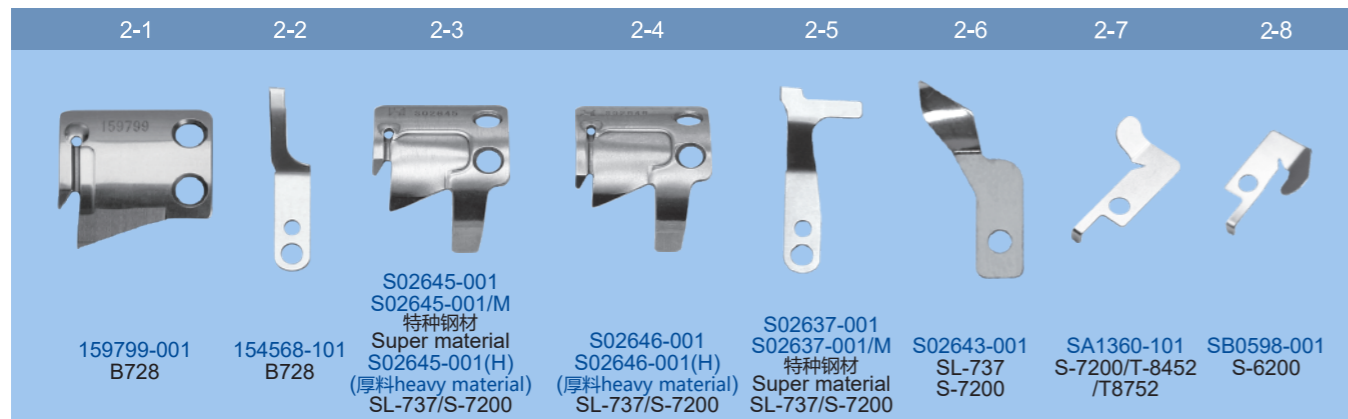
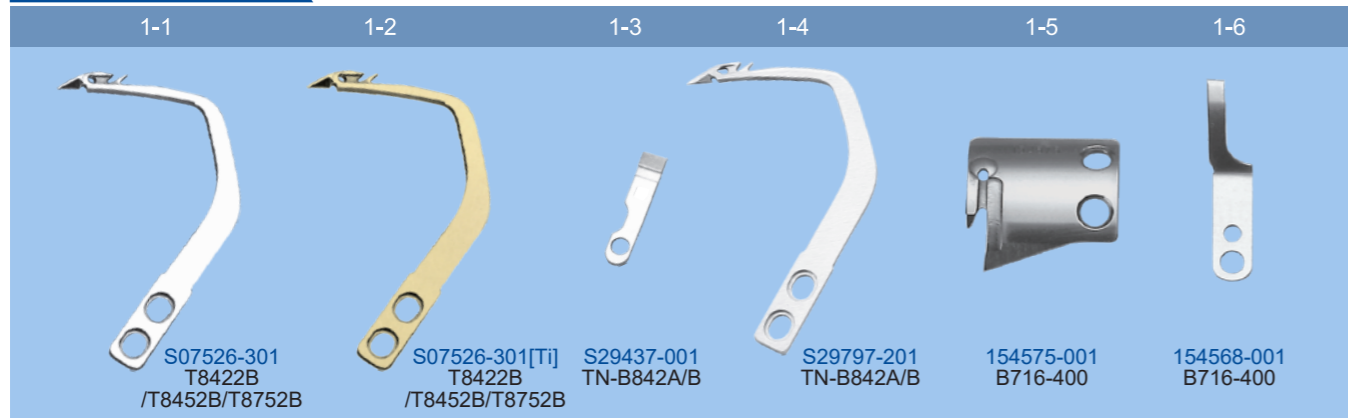
1-1	1-2	1-3	1-4	1-5	1-6	1-7
112436-001 B531/B561	S28352-001 B272	S20582-001 N11	S20583-001 N11	S20899-001 N11	S09101-001 B271	144074-001 B531/N11/B641
2-1	2-2	2-3	2-4	2-5	2-6	2-7
144074-300 B531/B641	148342-001 B511/B561	148815-001 B531/B641	S20579-101 N11	S20896-101 N11	S20897-101 N11	S20898-101 N11
3-1	3-2	3-3	3-4	3-5	3-6	3-7
140242-001 B500/B600	S09093-001 B271	S09094-001 B271	S28348-001	140888-001 EF2-B531	S28650-201	S28654-001
4-1	4-2	4-3	4-4	4-5	4-6	
S16413-001 B787-4	S10605-001 SL-777B S-7780A	S07525-000 T8452/T8752	S07527-001 T8452/T8752	S07526-001 T-842/T-845 /T-875	S07526-201 T8452/T8752	

# 工业缝纫机刀类

KNIVES FOR INDUSTRIAL SEWING MACHINES

INDUSTRIAL SEWING MACHINES SPARE PARTS

## FOR BROTHER/兄弟

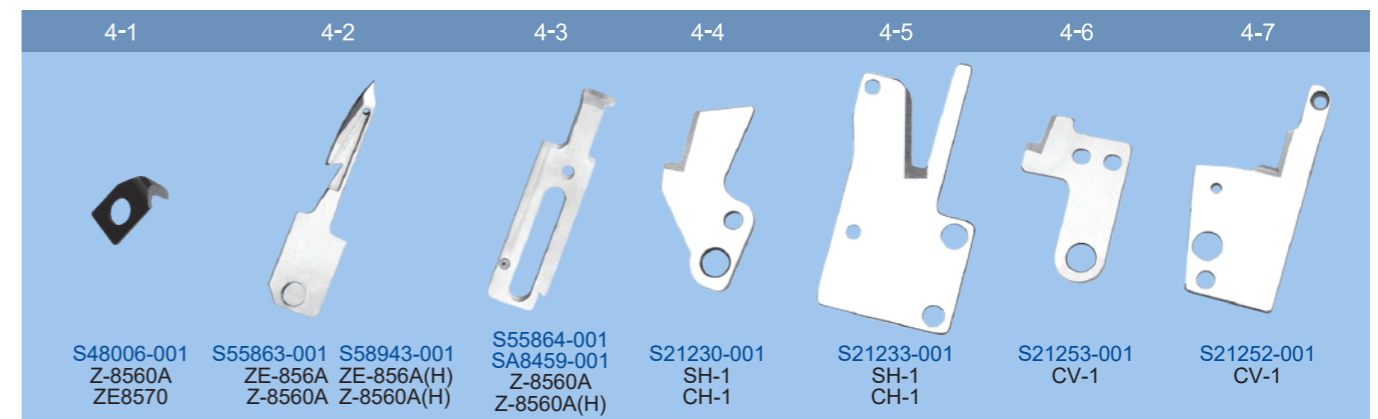
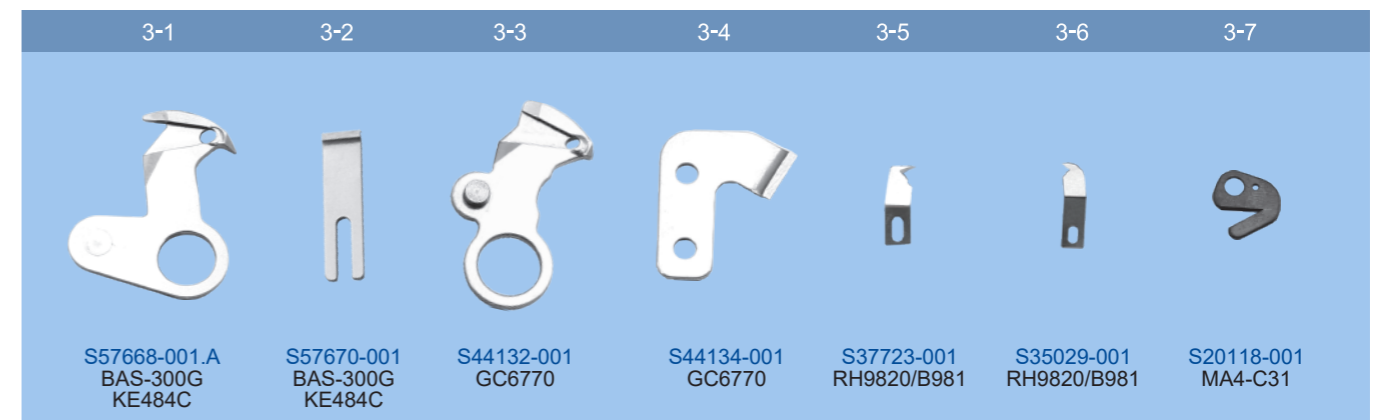
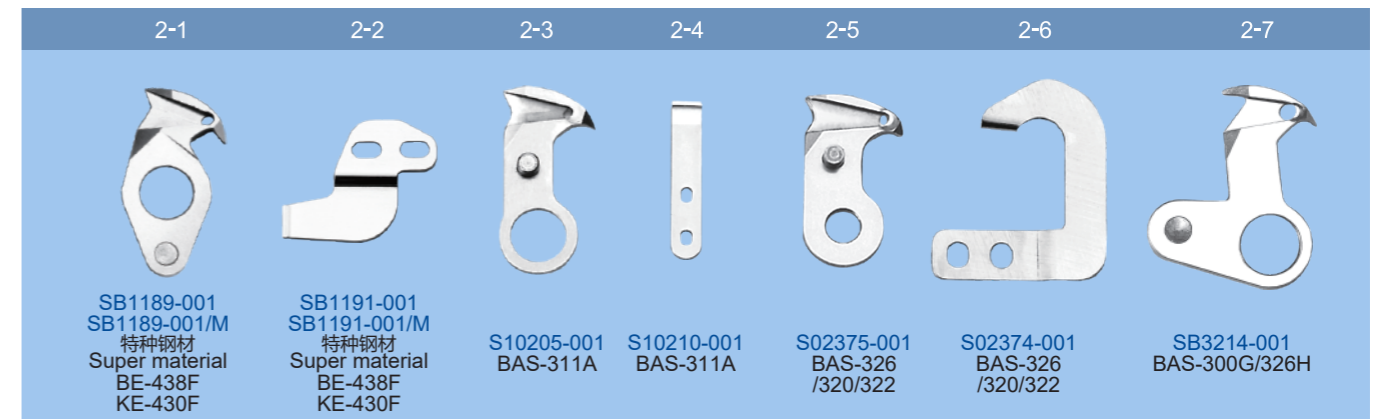
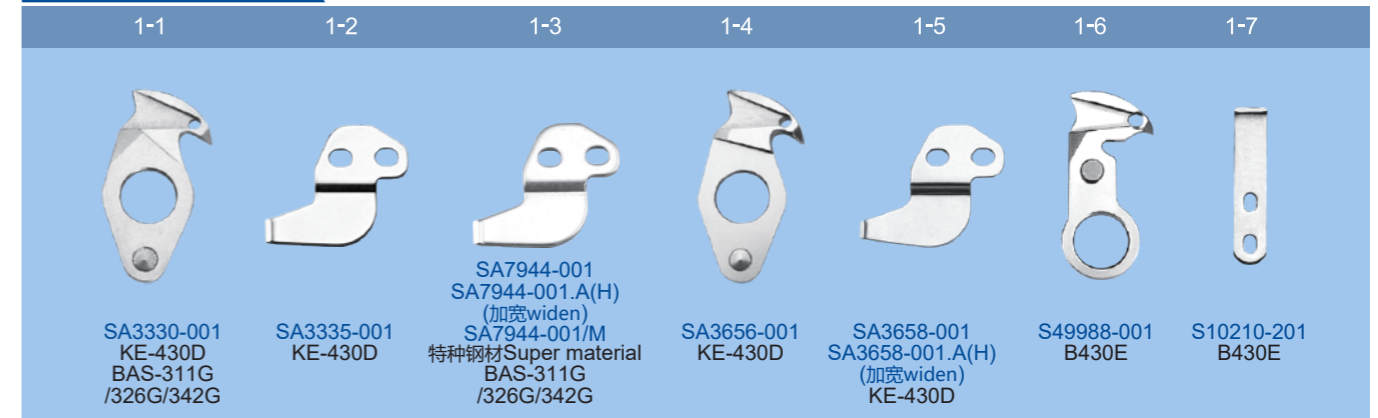


# 工业缝纫机刀类

KNIVES FOR INDUSTRIAL SEWING MACHINES

INDUSTRIAL SEWING MACHINES SPARE PARTS

## FOR BROTHER/兄弟

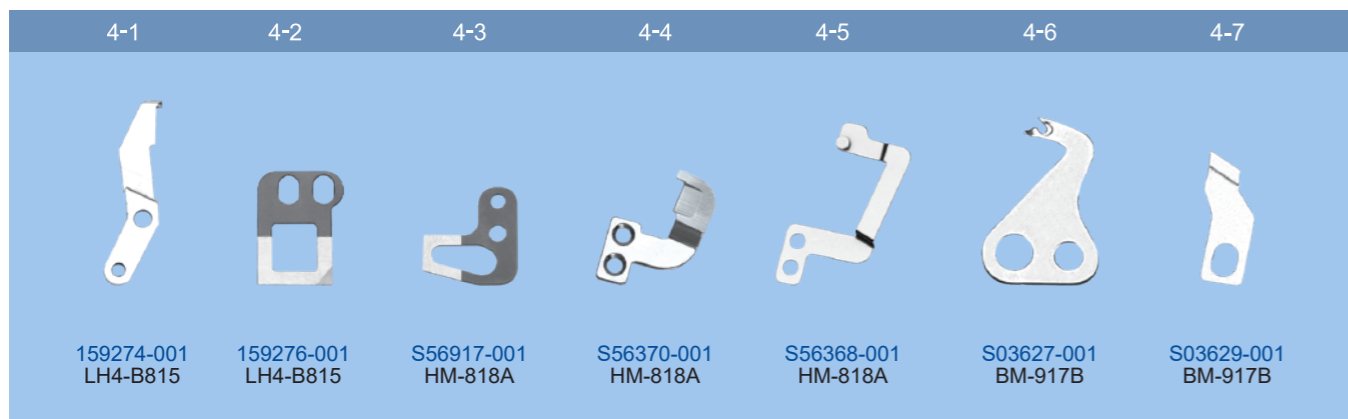
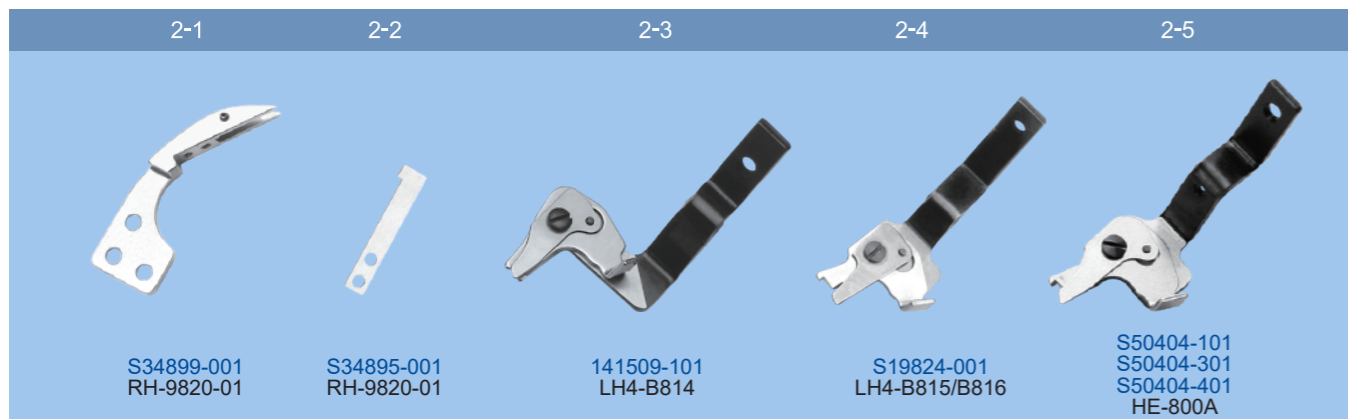
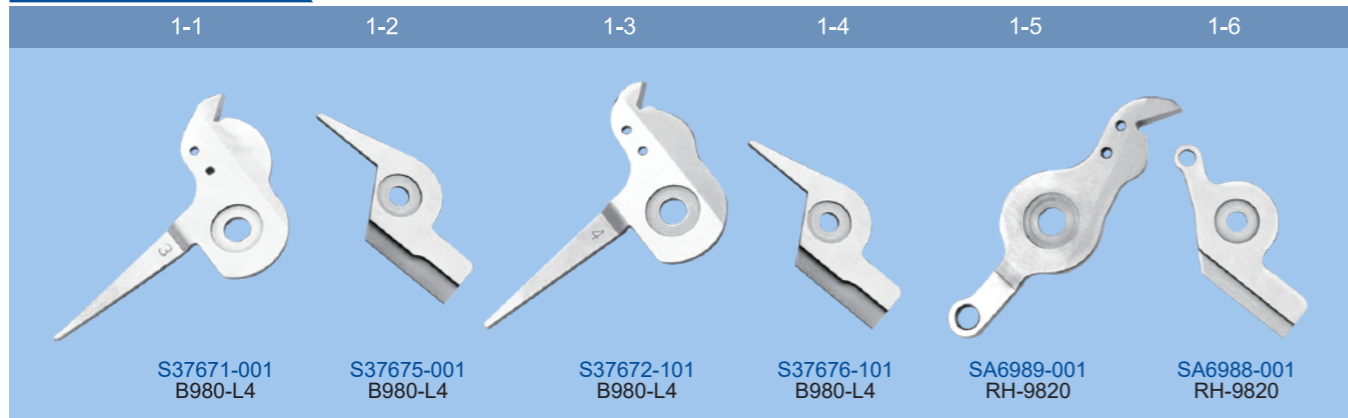


# 工业缝纫机刀类

KNIVES FOR INDUSTRIAL SEWING MACHINES

INDUSTRIAL SEWING MACHINES SPARE PARTS

## FOR BROTHER/兄弟

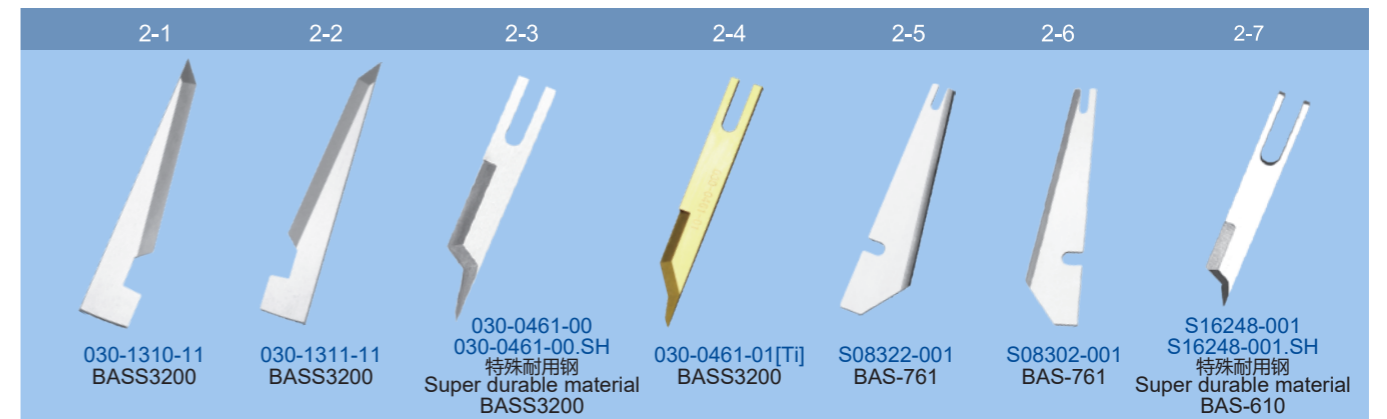
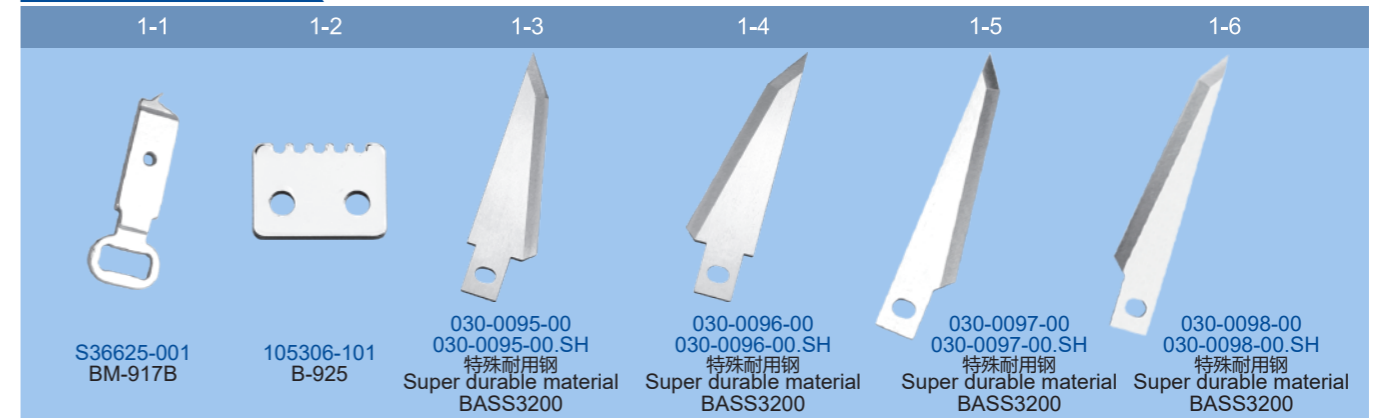


# 工业缝纫机刀类

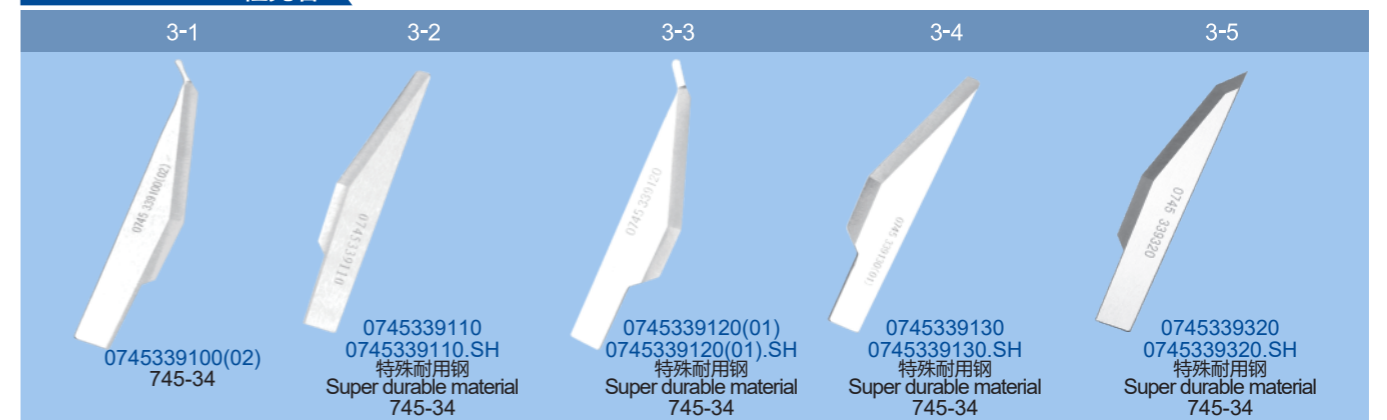
KNIVES FOR INDUSTRIAL SEWING MACHINES

INDUSTRIAL SEWING MACHINES SPARE PARTS

## FOR BROTHER/兄弟



## FOR DURKOPP/杜克普

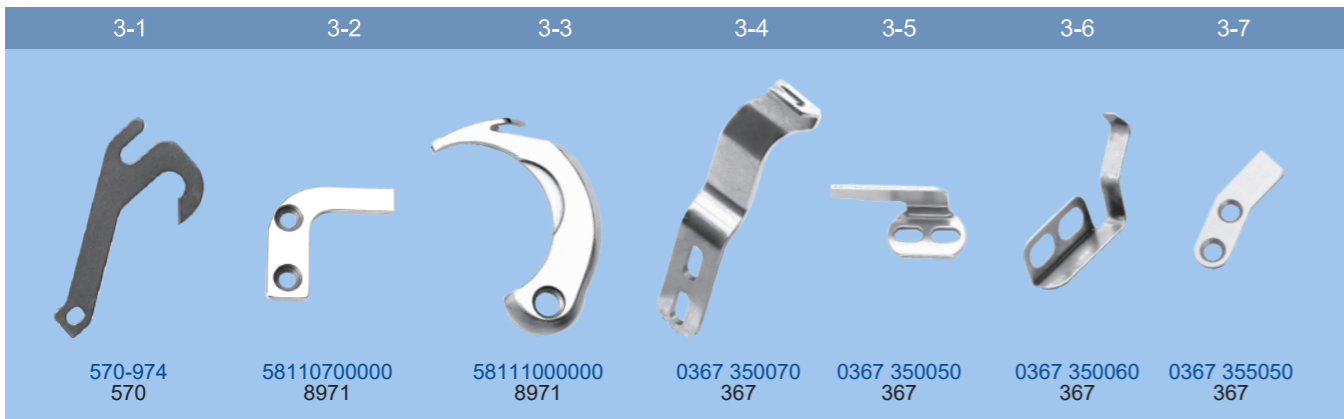
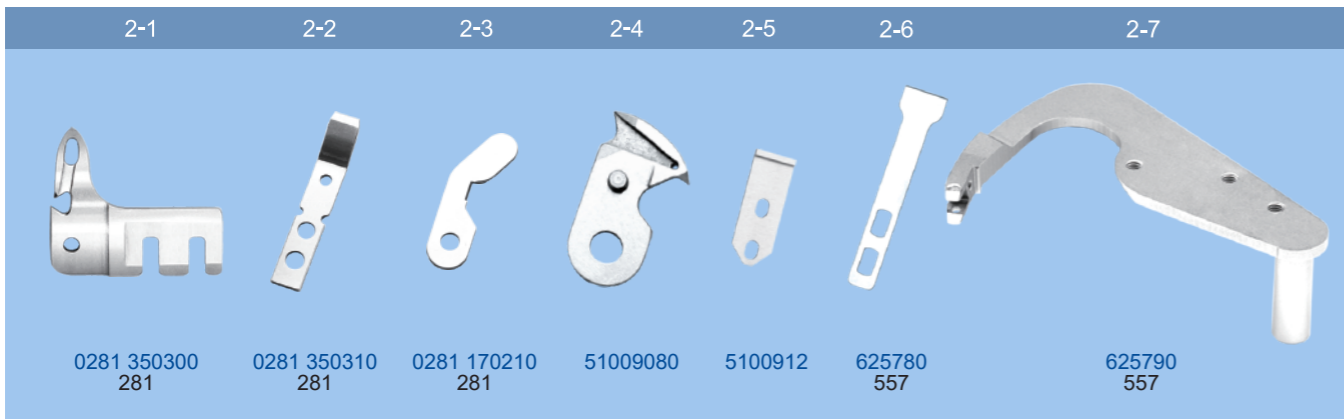
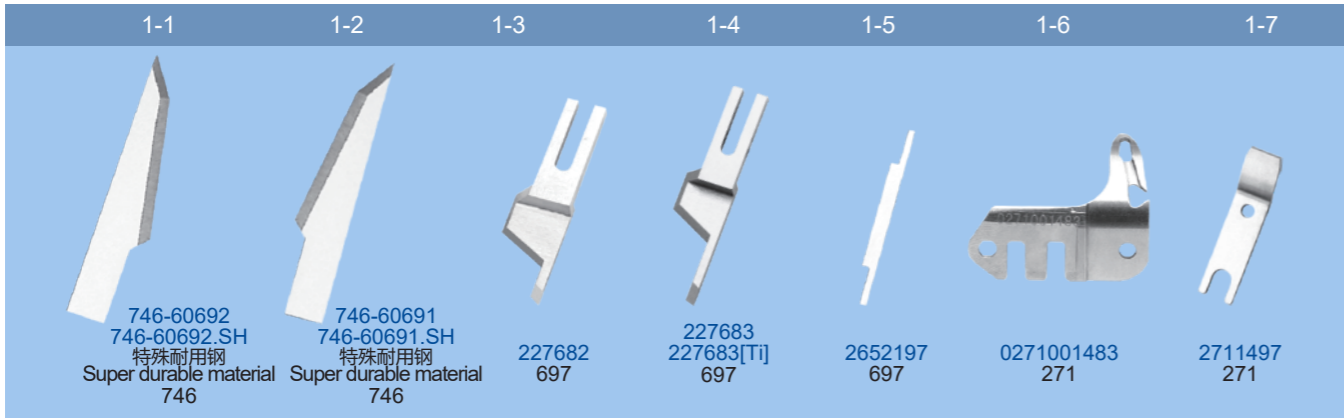


# 工业缝纫机刀类

KNIVES FOR INDUSTRIAL SEWING MACHINES

INDUSTRIAL SEWING MACHINES SPARE PARTS

## FOR DURKOPP/杜克普

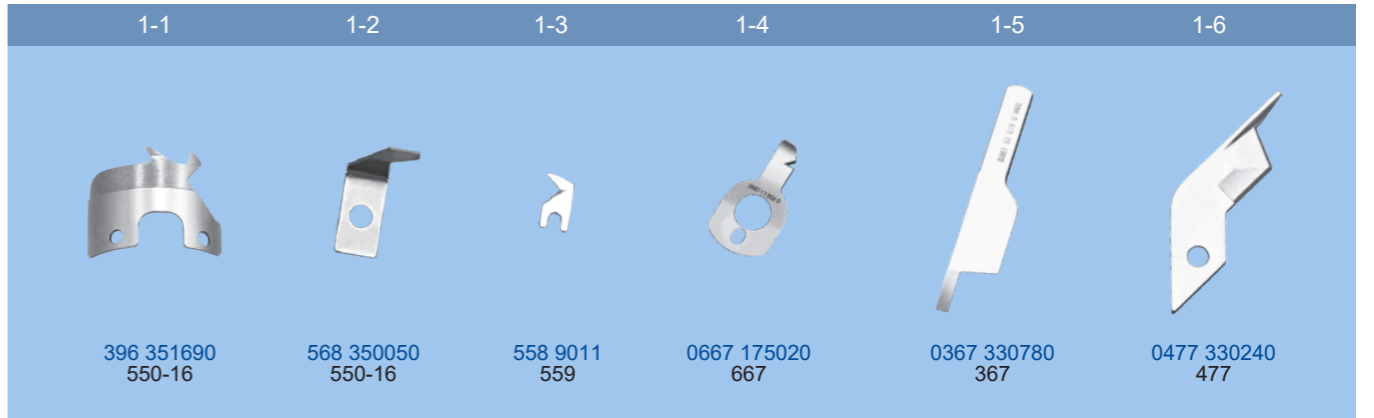


# 工业缝纫机刀类

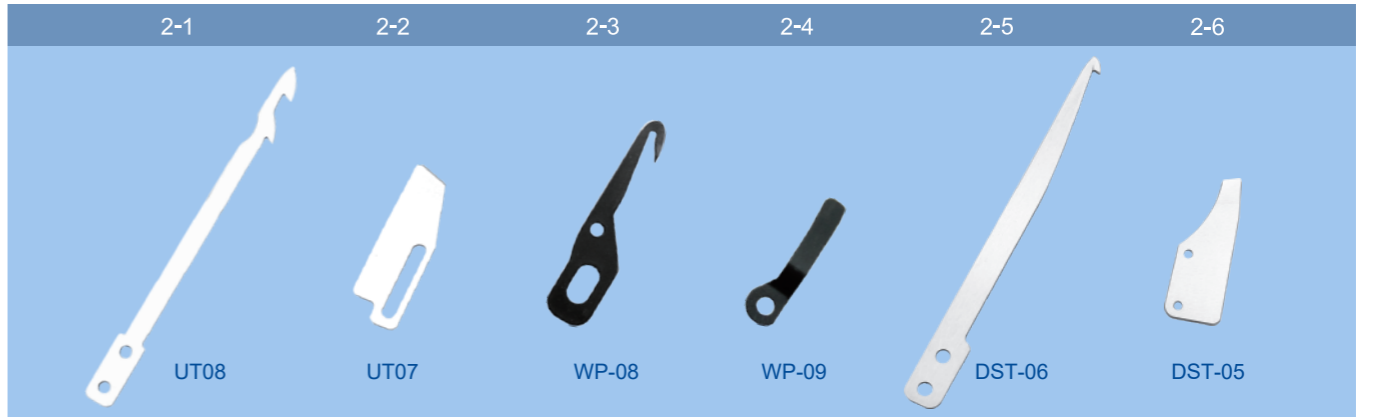
KNIVES FOR INDUSTRIAL SEWING MACHINES

INDUSTRIAL SEWING MACHINES SPARE PARTS

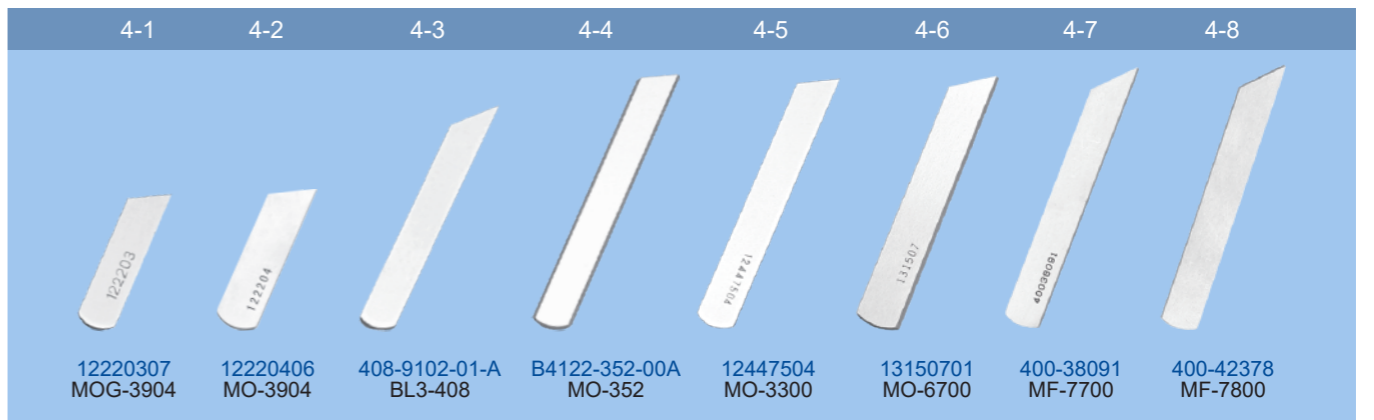
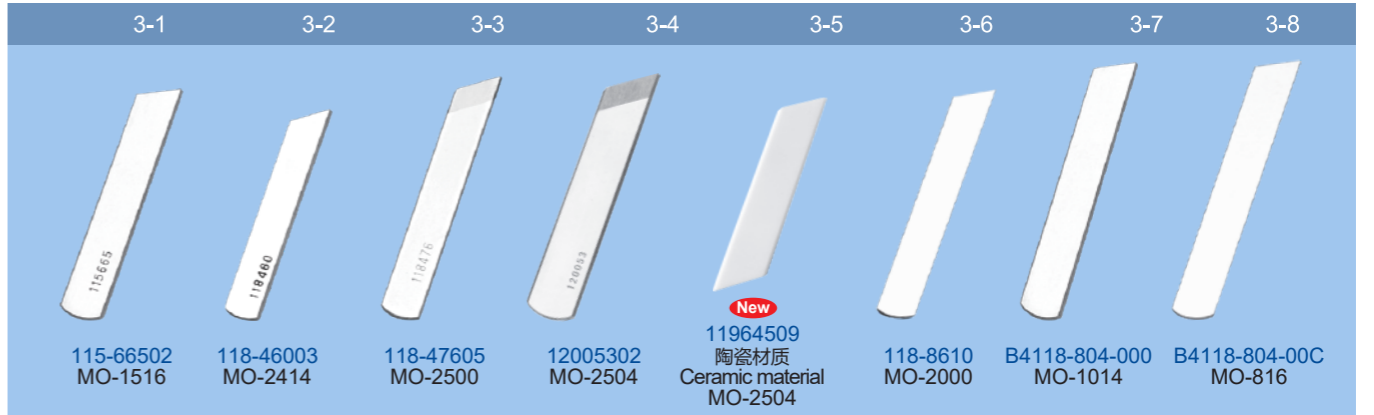
## FOR DURKOPP/杜克普



## FOR DINO/龙帝



## FOR JUKI/重机

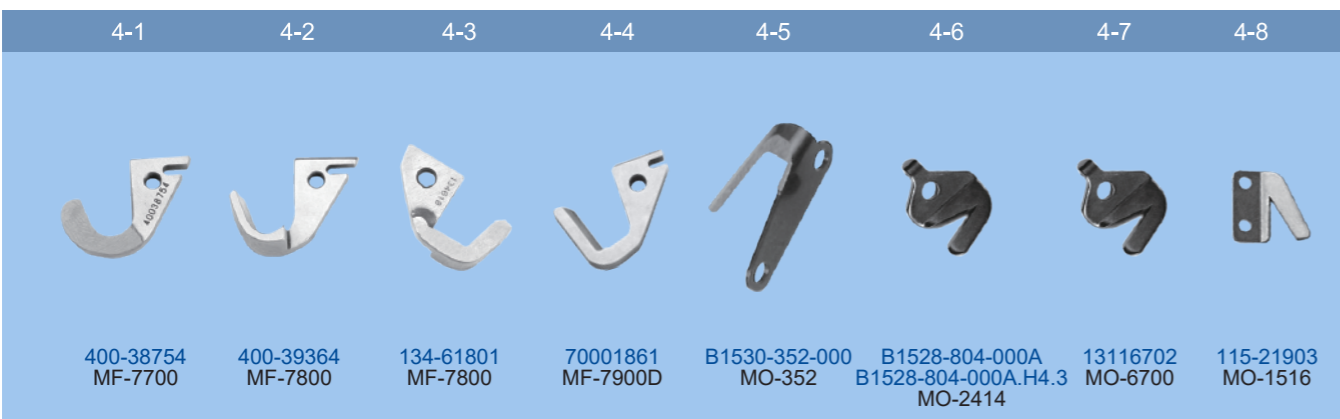
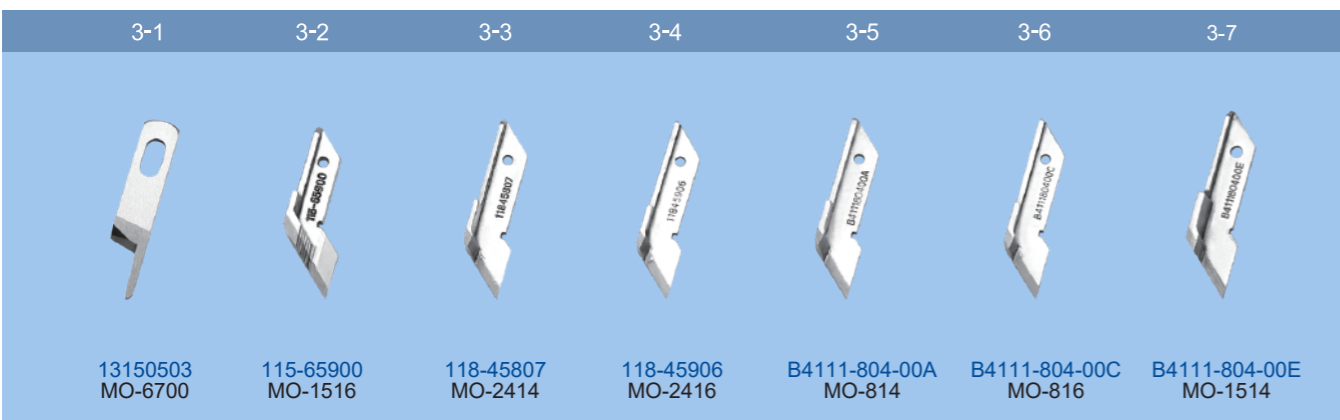
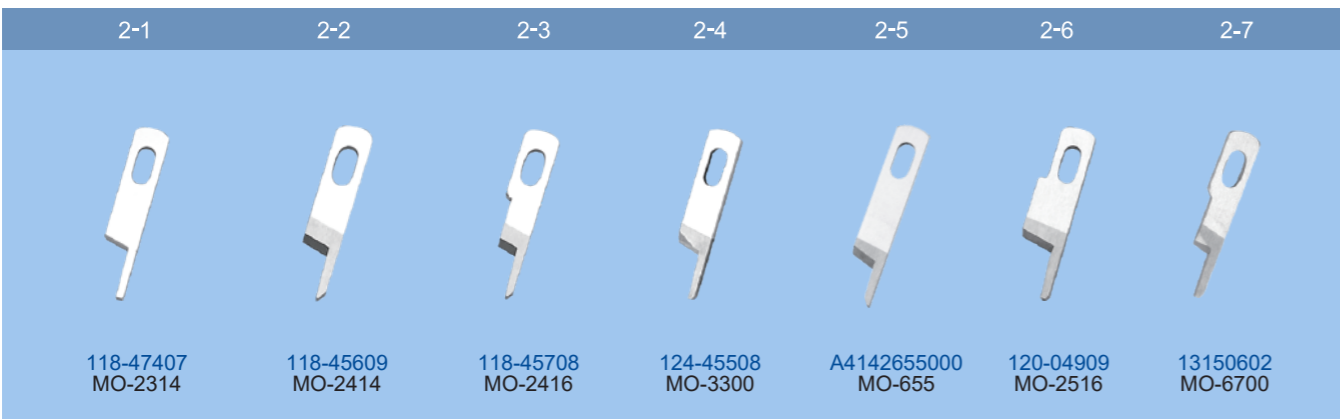
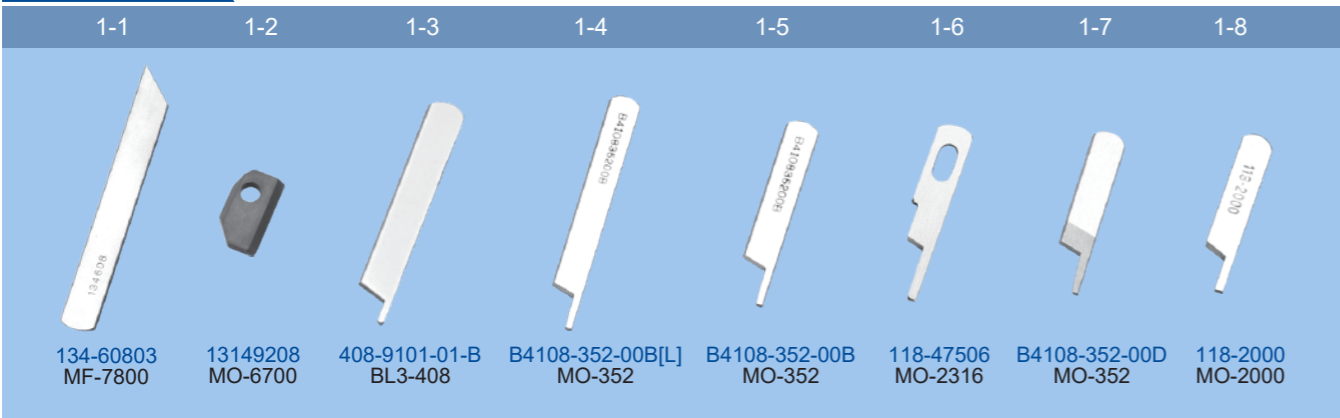


# 工业缝纫机刀类

KNIVES FOR INDUSTRIAL SEWING MACHINES

INDUSTRIAL SEWING MACHINES SPARE PARTS

## FOR JUKI/重机

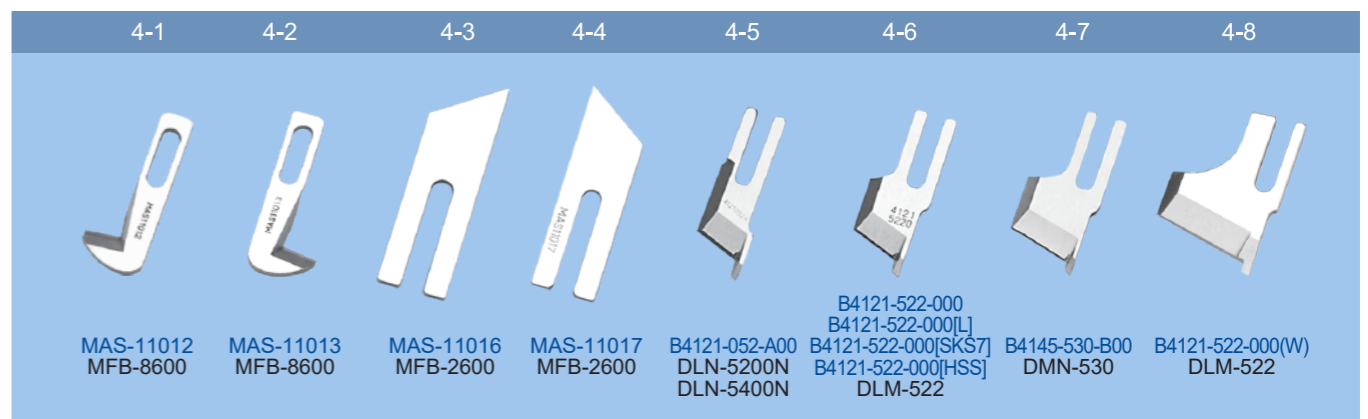
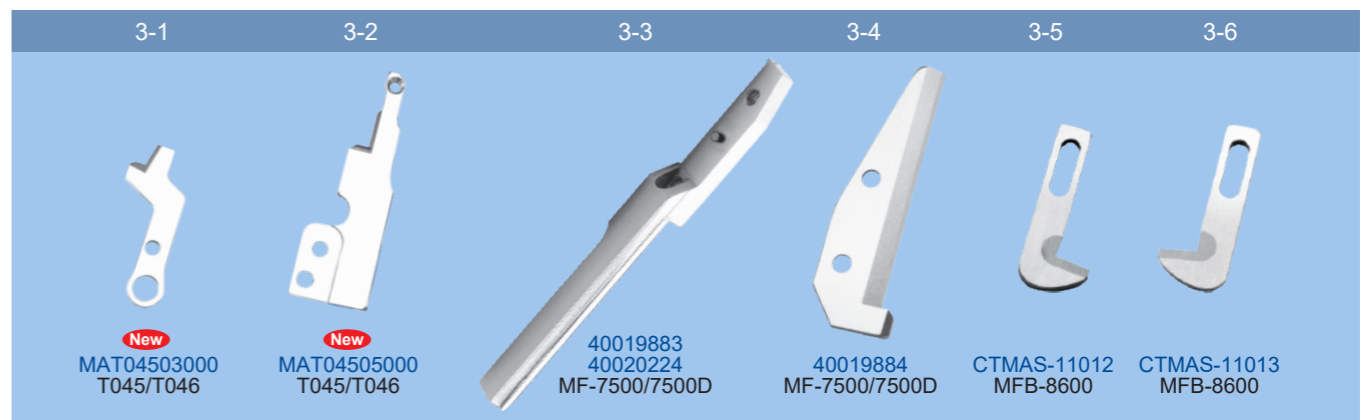
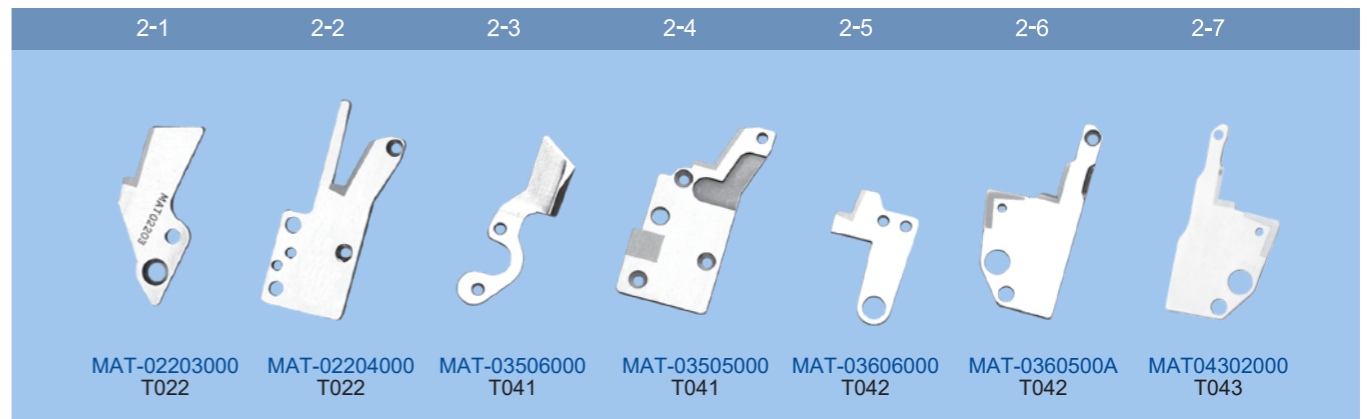


# 工业缝纫机刀类

KNIVES FOR INDUSTRIAL SEWING MACHINES

INDUSTRIAL SEWING MACHINES SPARE PARTS

## FOR JUKI/重机
















# 工业缝纫机刀类

KNIVES FOR INDUSTRIAL SEWING MACHINES




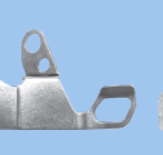
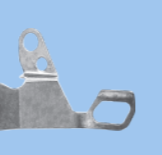
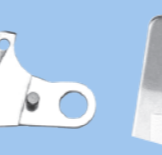

INDUSTRIAL SEWING MACHINES SPARE PARTS

## FOR JUKI/重机

1-1	1-2	1-3	1-4	1-5	1-6	1-7
						
<b>New</b> G5412-254-000 MOL-254	<b>New</b> G5409-254-000 MOL-254	305-00300 MFC-7605U75	303-65407 MFC-7605U75	B2406-373-0A0 MB-373	B2410-373-000 MB-373	B1237-373-000 MB-373

2-1	2-2	2-3	2-4	2-5	2-6
					
B2019-372-0A0 MB-373	B2015-372-0A0 MB-373	40187740 DDL-900B DDL-7000A	40127154 DDL-900B DDL-7000A	40127155 DDL-900B DDL-7000A	<b>New</b> 40200018 DDL-900BB

3-1	3-2	3-3	3-4	3-5	3-6	3-7
						
<b>New</b> 40195289 DDL-8000A/900BB	<b>New</b> 40195552 DDL-8000A/900BB	<b>New</b> 40211454 DDL-8000A/900BB	<b>New</b> 113-51400 DMN-5420N-7	<b>New</b> 113-51509 DMN-5420N-7	110-40052 110-40052/M 特种钢材 Super material DDL-5550N DDL-8700 DDL-9000A/B DLU-5490	110-93259 DDL-5570N DDL-5580N




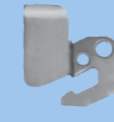



4-1	4-2	4-3	4-4	4-5	4-6	4-7
						
D2406-555-DOH D2406-555-DOH/M 特种钢材 Super material DDL-5550N DDL-8700 DDL-9000A/B DLU-5490	D2405-555-B00B DDL-555-5	110-40201 DDL-5570N DDL-5580N DLU-5494N-7 DDL-8700-7	40044189 DDL-9000A/B	40050588 DDL-9000A-D DDL-9000B-D DDL-9000A/B-DS	114-09257 114-09257/M 特种钢材 Super material DDL-5550NH-7 DDL-8700-7	40089755 DDL-8700H-7 DDL-8700A-7




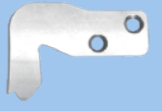



# 工业缝纫机刀类







KNIVES FOR INDUSTRIAL SEWING MACHINES







INDUSTRIAL SEWING MACHINES SPARE PARTS

## FOR JUKI/重机

1-1	1-2	1-3	1-4	1-5	1-6	1-7
						
40050589 DDL-9000A/B	114-09604 114-09604/M 特种钢材 Super material DDL-5550NH-7 DDL-8500-7 DLN-9010	40044190 DDL-9000A/B DDL-9000A-H DDL-9000B-H	110-95403 DDL-5550NH-7 DDL-8700-7	D2402-555-BA0 DDL-555-5	D2402-555-BAB DDL-555-5	D2402-415-BA0 DDL-555-5

2-1	2-2	2-3	2-4	2-5	2-6	2-7
						
113-13053 DLN-5410-6	D2406-555-B00 DDL-555-5	D2401-530-D00 DMN-530-5	D2404-530-D00 DMN-530-5	B2421-280-0A0 B2421-280-0A0/M 特种钢材 Super material LK-1850 LK-1900/1900A	B2424-280-000 B2424-280-000/M 特种钢材 Super material LK-1850 LK-1900/1900A	40179344 LK-1900B

3-1	3-2	3-3	3-4	3-5	3-6
					
138-81255 LK-1952 /1953/1954	B2421-210-AA0 AMS-210D	B2424-210-000 AMS-210D	B2421-210-000 AMS-210C	B2421-205-0A0 AMS-210C	B2424-210-A00 AMS-210C AMS-215C

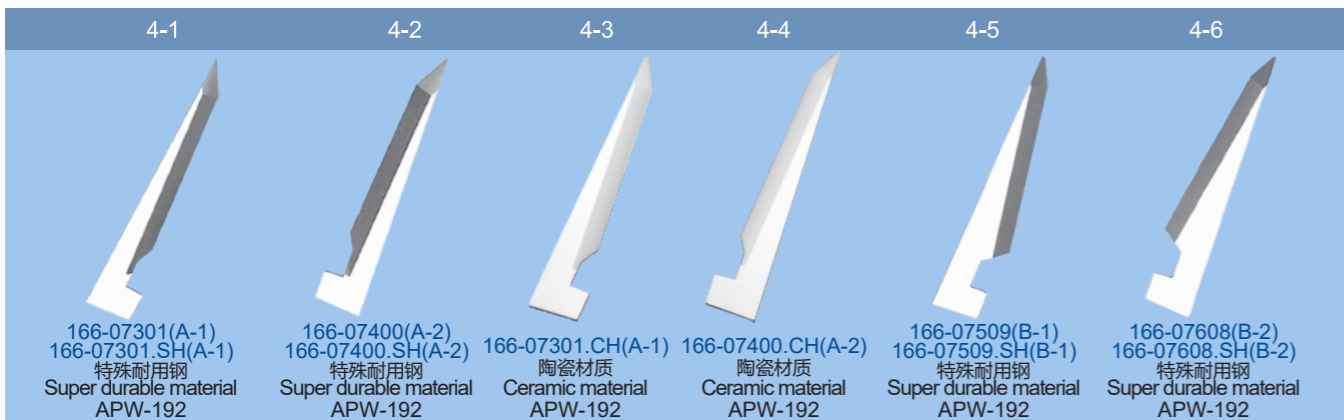
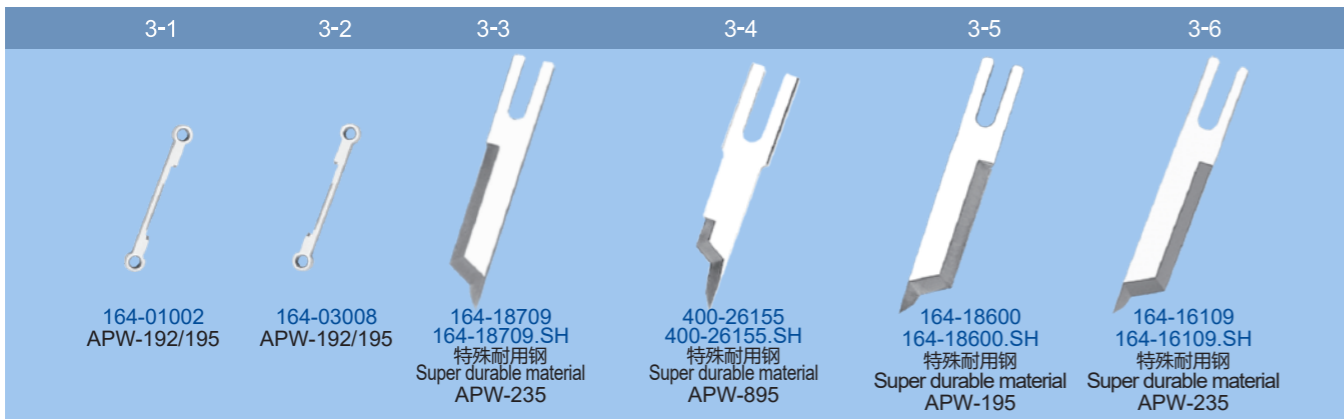
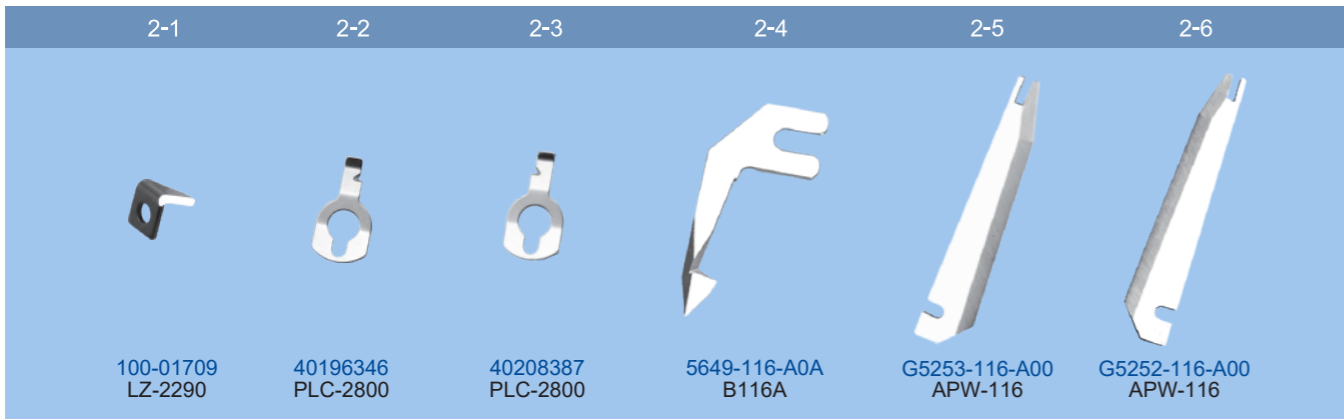
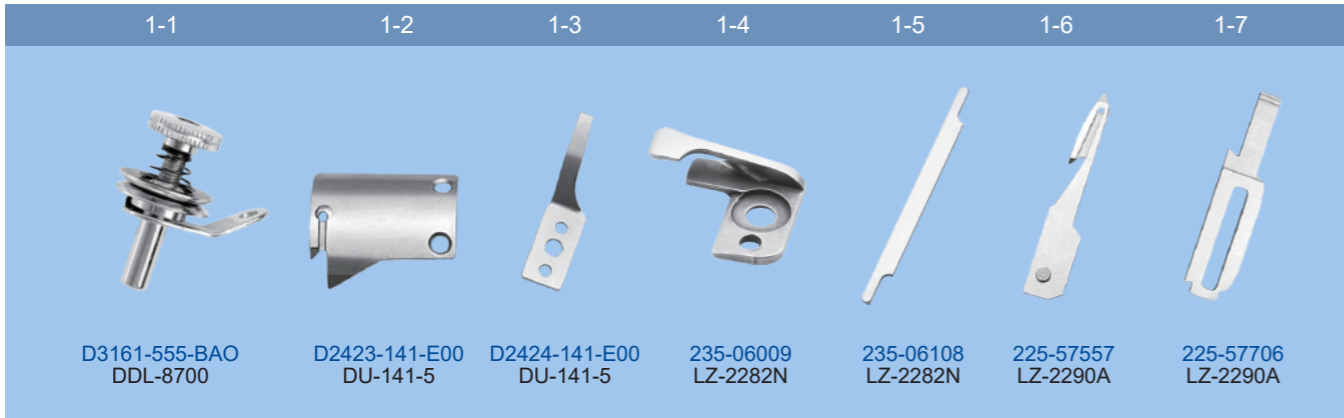
4-1	4-2	4-3	4-4	4-5	4-6
					
40237599 MF-7900-UT -42/UT-45	40086274 MF-7800 MF-7900-UT	70004083 MF-7900-UT59	40086277 MF-7800 MF-7900-UT	110-42652 229-50356 DDL-8700 DDL-5550NH-7	D2408-555-CAO DDL-8700 DDL-5550NH-7

# 工业缝纫机刀类

KNIVES FOR INDUSTRIAL SEWING MACHINES

INDUSTRIAL SEWING MACHINES SPARE PARTS

## FOR JUKI/重机

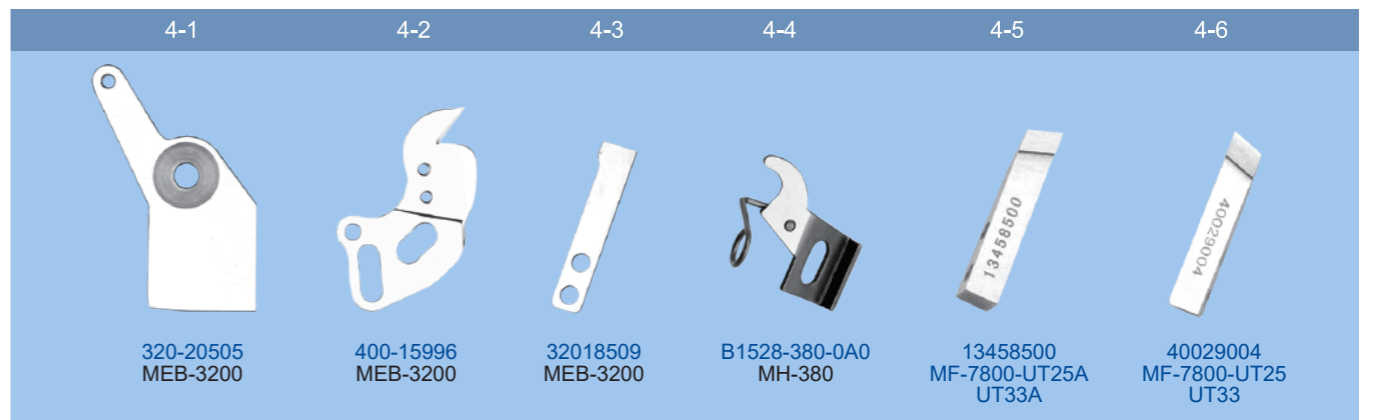
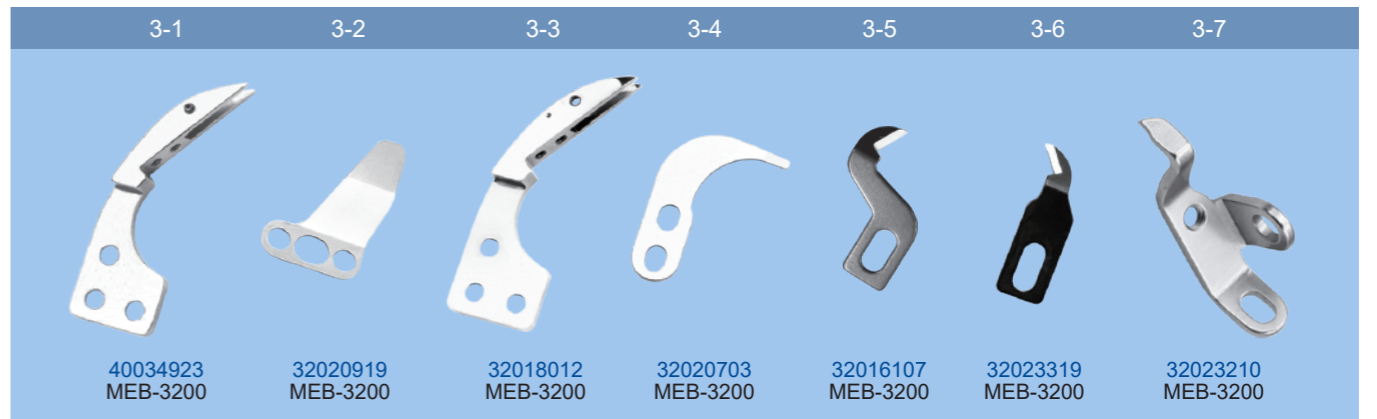
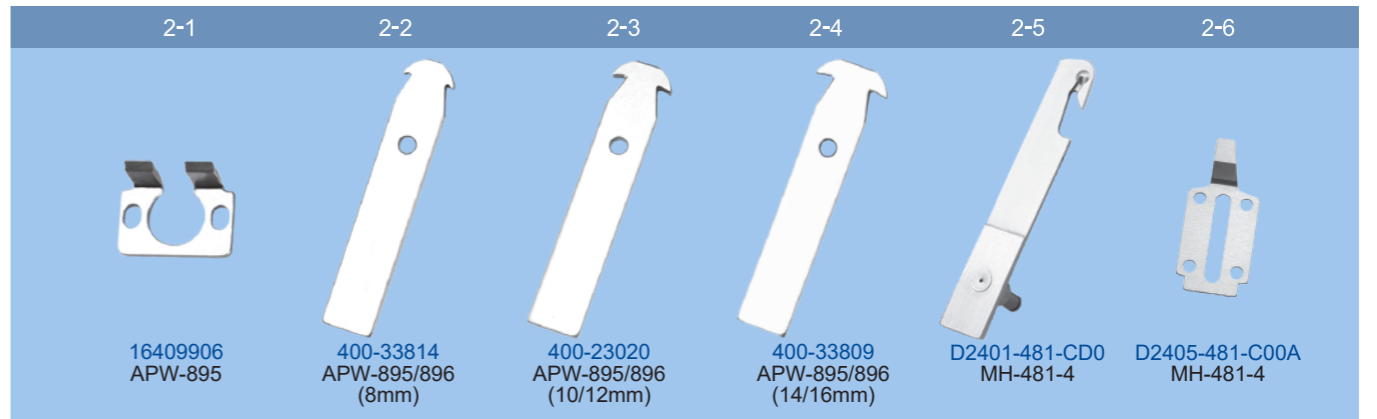
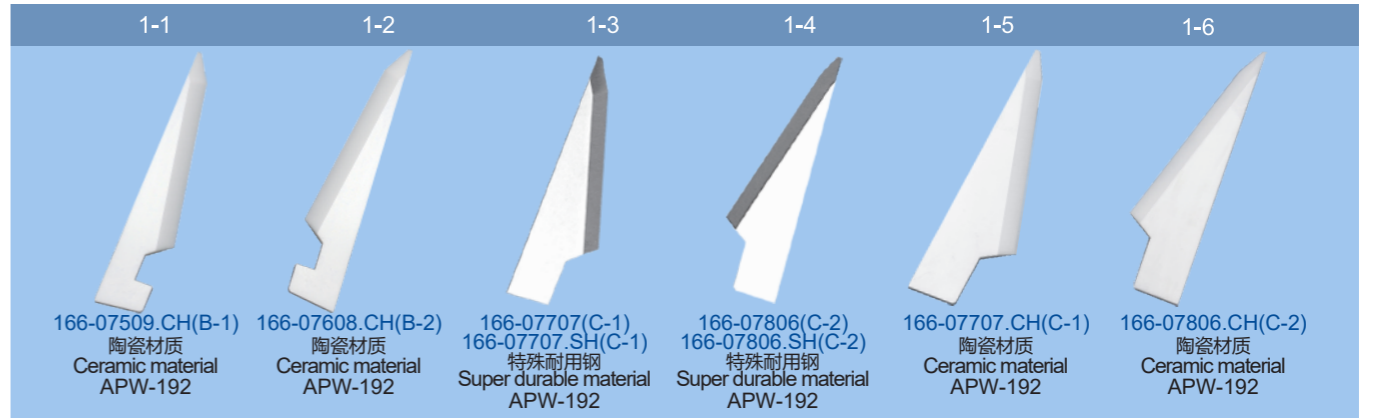


# 工业缝纫机刀类

KNIVES FOR INDUSTRIAL SEWING MACHINES

INDUSTRIAL SEWING MACHINES SPARE PARTS

## FOR JUKI/重机

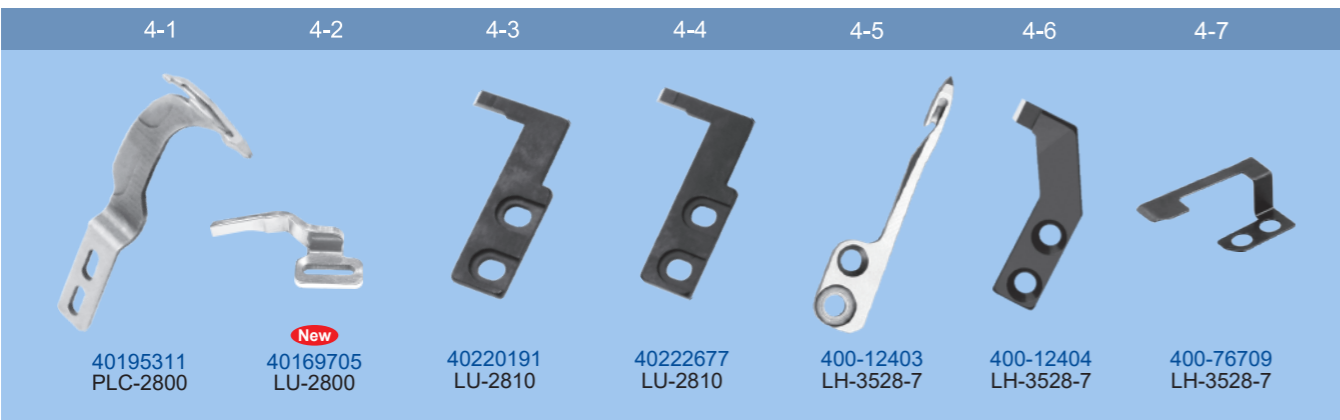
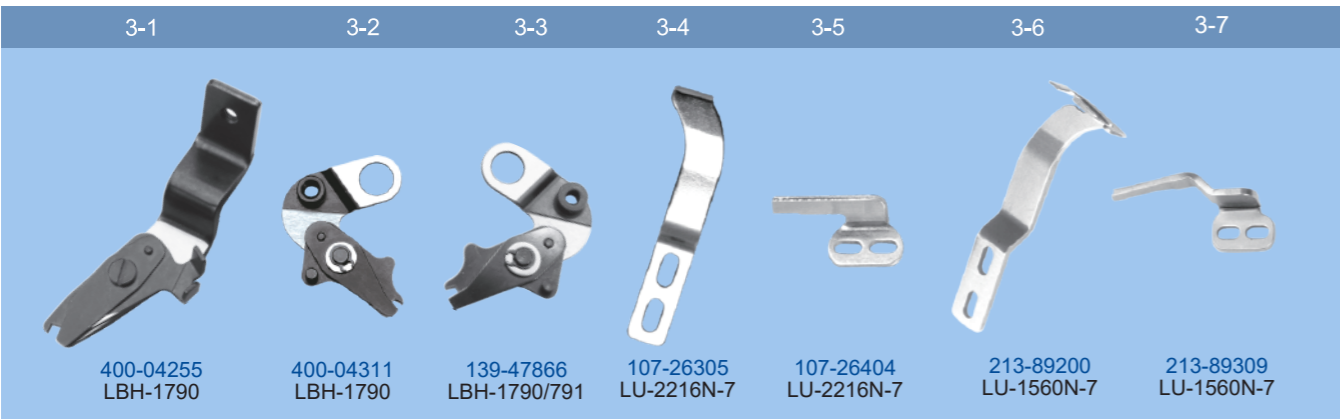
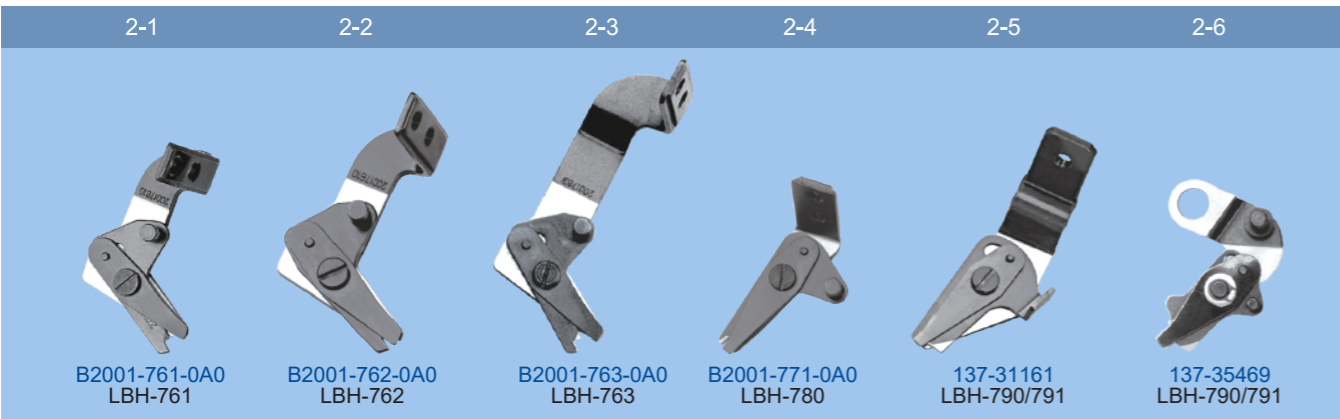
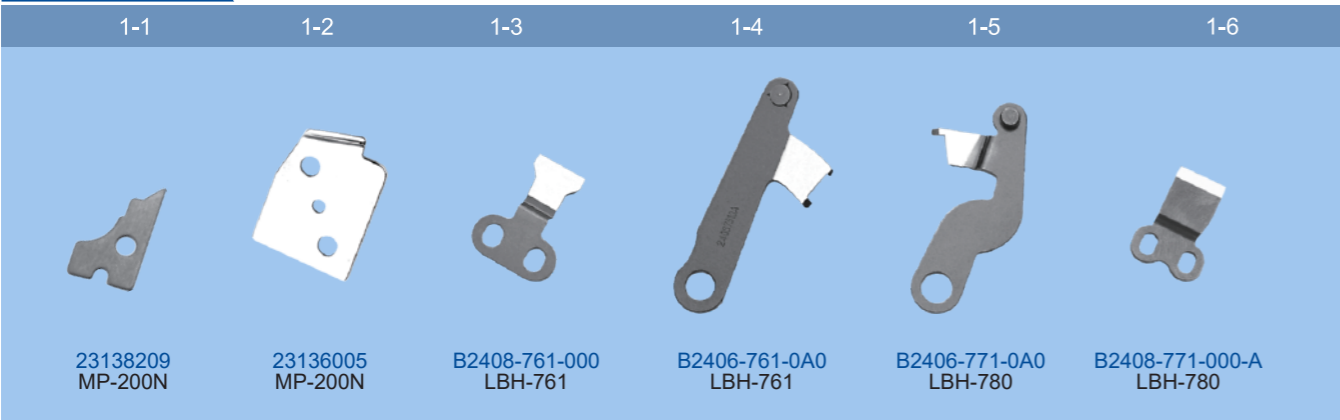


# 工业缝纫机刀类

KNIVES FOR INDUSTRIAL SEWING MACHINES

INDUSTRIAL SEWING MACHINES SPARE PARTS

## FOR JUKI/重机

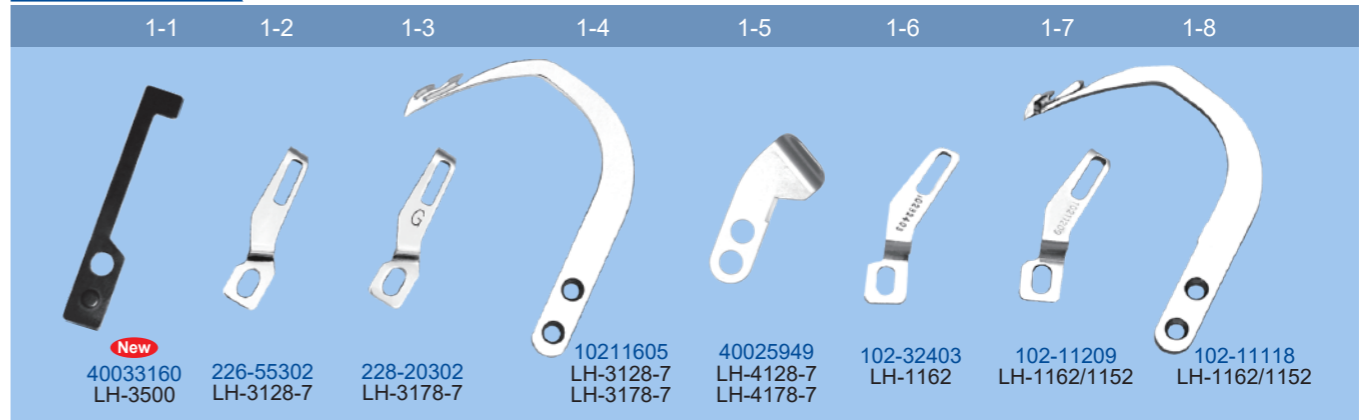


# 工业缝纫机刀类

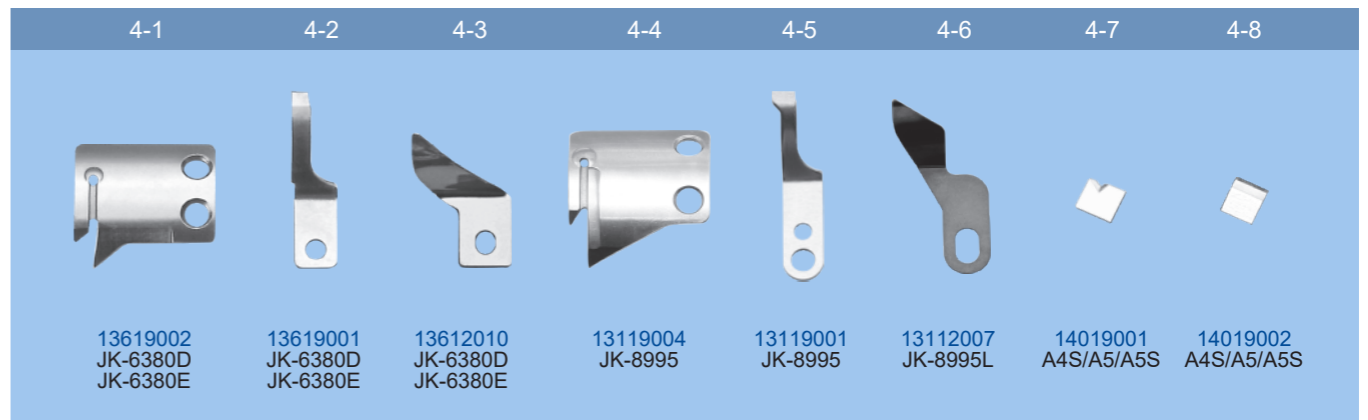
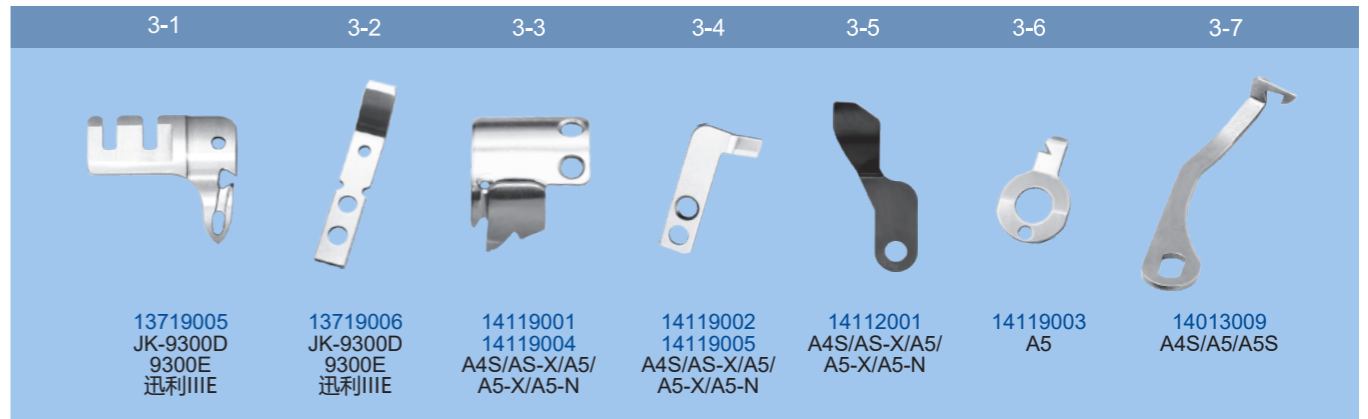
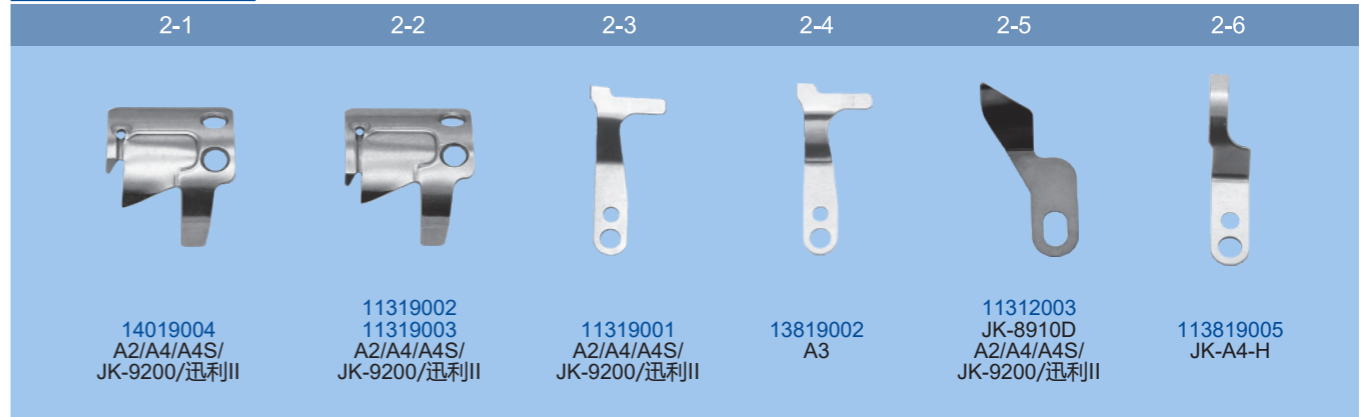
KNIVES FOR INDUSTRIAL SEWING MACHINES

INDUSTRIAL SEWING MACHINES SPARE PARTS

## FOR JUKI/重机



## FOR JACK/杰克

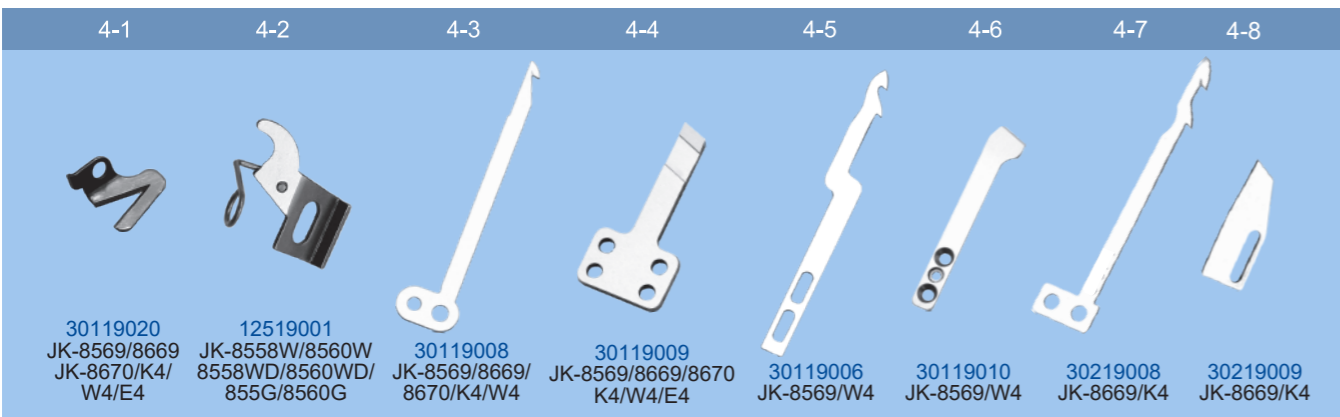
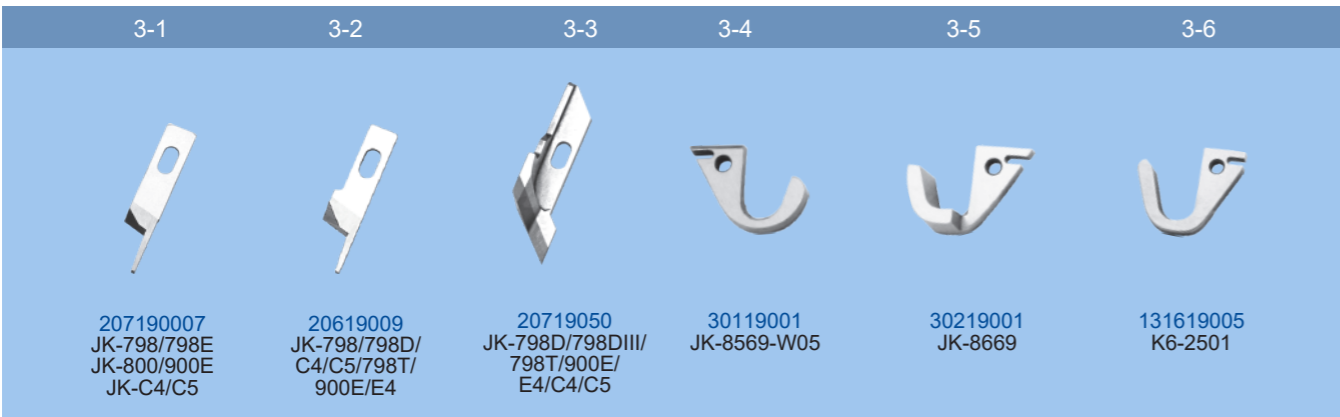
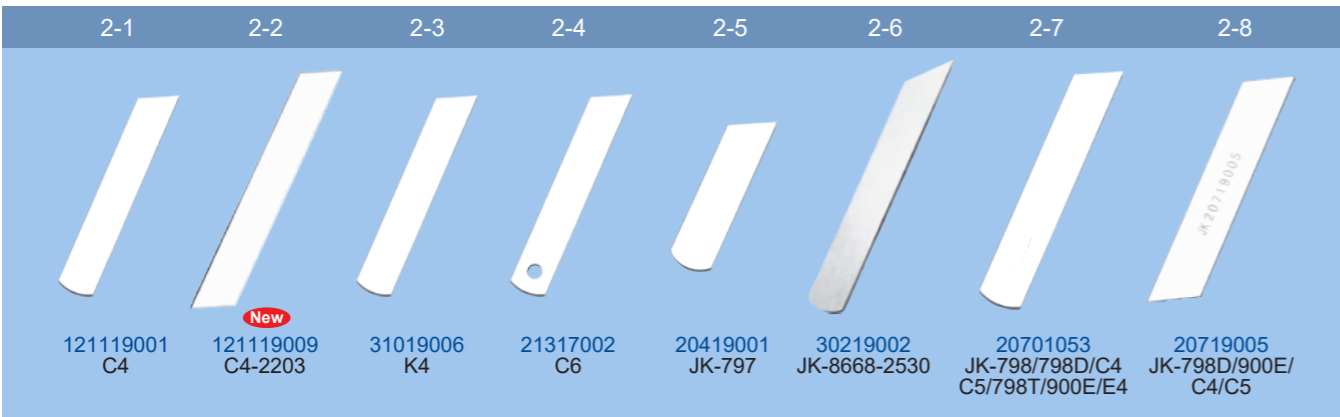
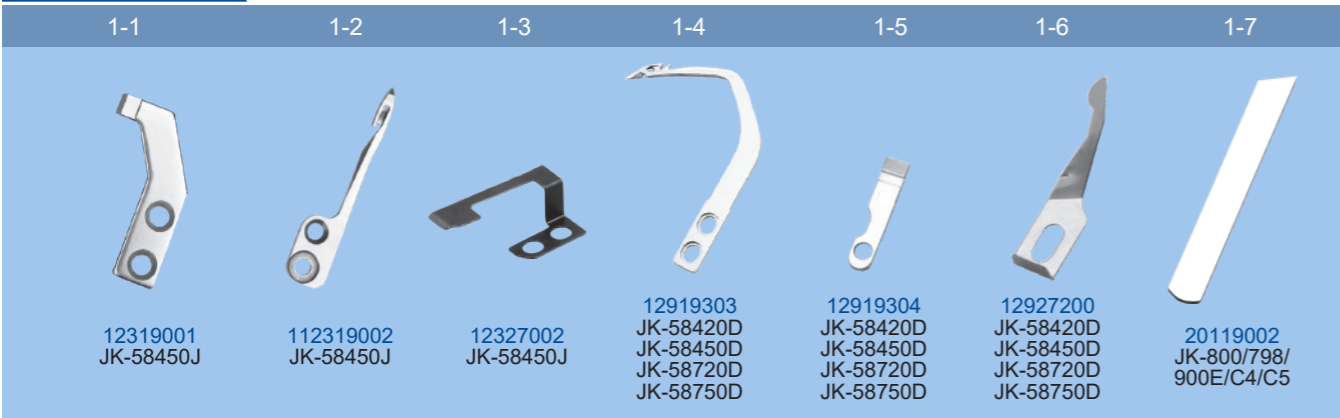


# 工业缝纫机刀类

KNIVES FOR INDUSTRIAL SEWING MACHINES

INDUSTRIAL SEWING MACHINES SPARE PARTS

## FOR JACK/杰克

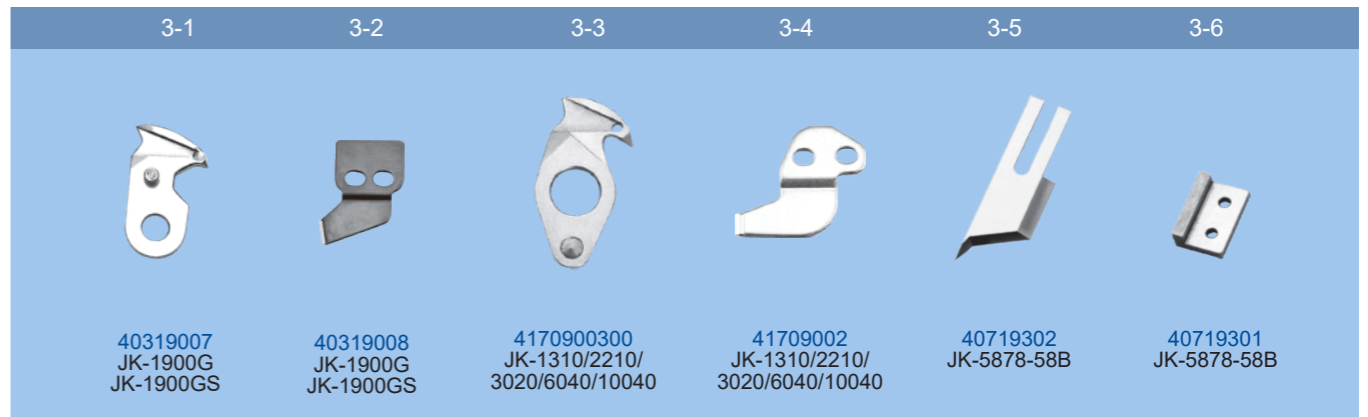
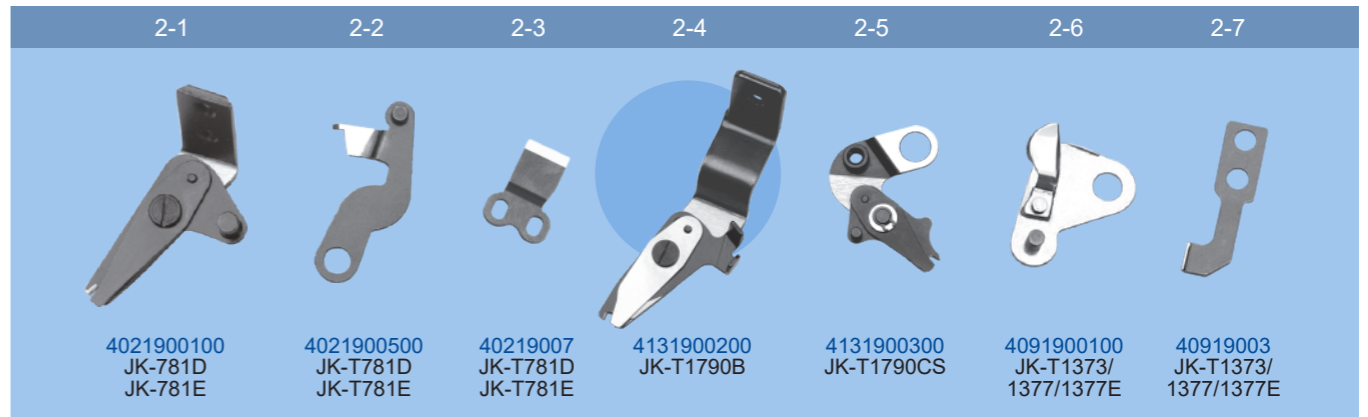
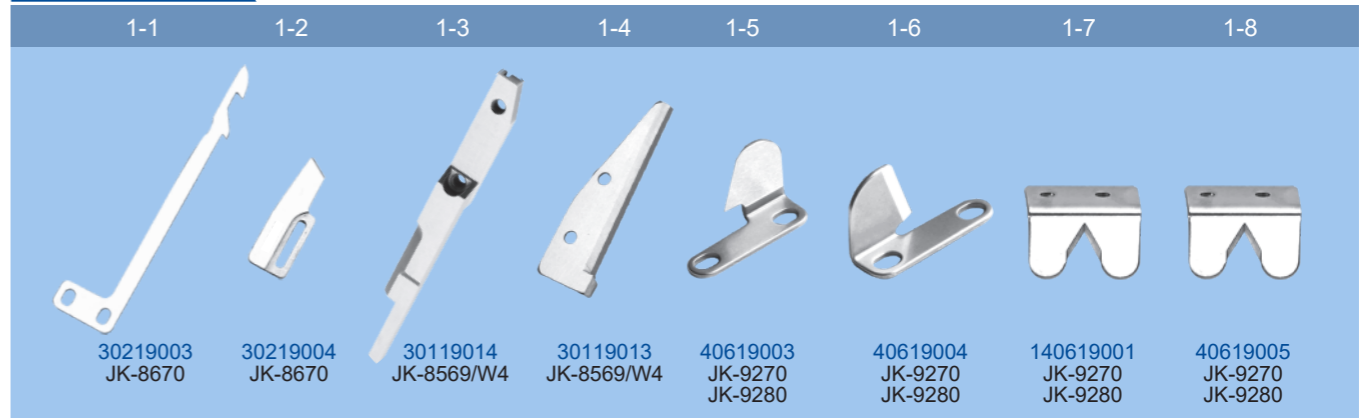


# 工业缝纫机刀类

KNIVES FOR INDUSTRIAL SEWING MACHINES

INDUSTRIAL SEWING MACHINES SPARE PARTS

## FOR JACK/杰克



## FOR JUMBO KING/象王



## FOR VIBEMAC/威比玛

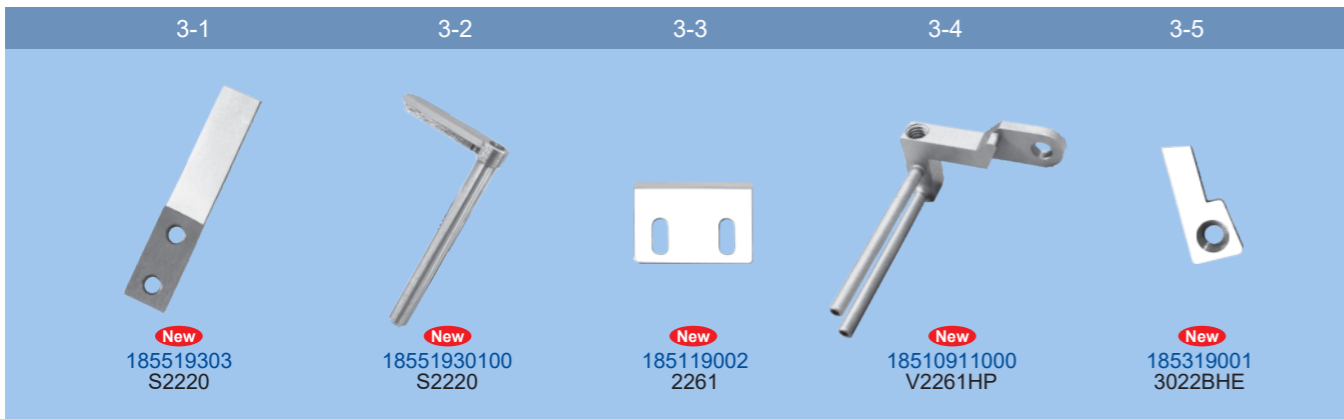
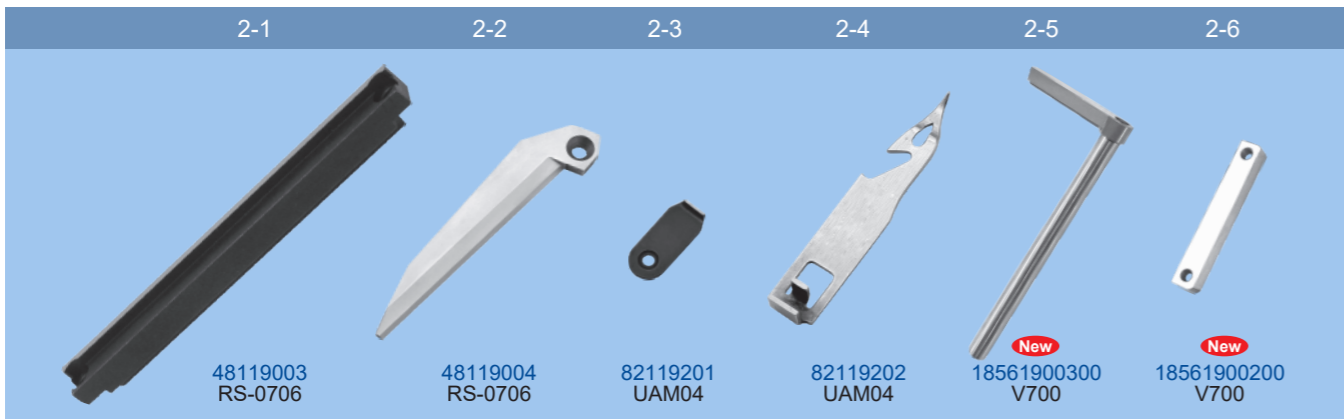
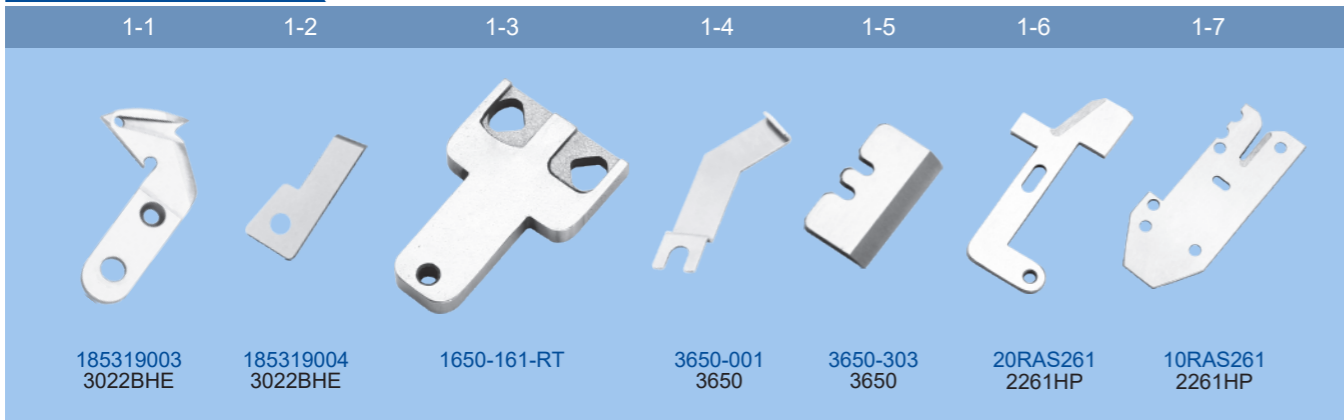


# 工业缝纫机刀类

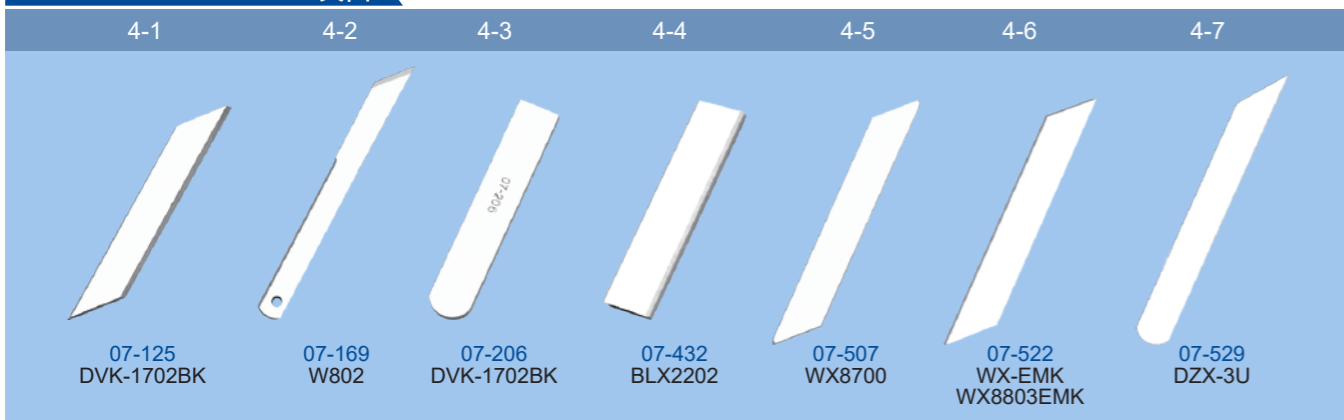
KNIVES FOR INDUSTRIAL SEWING MACHINES

INDUSTRIAL SEWING MACHINES SPARE PARTS

## FOR VIBEMAC/威比玛



## FOR KANSAI SPECIAL/关西

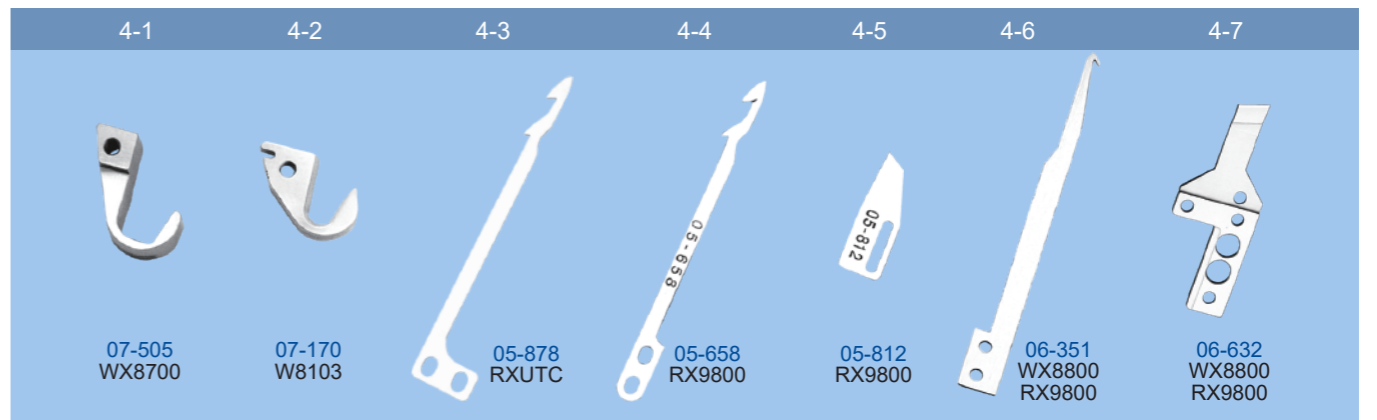
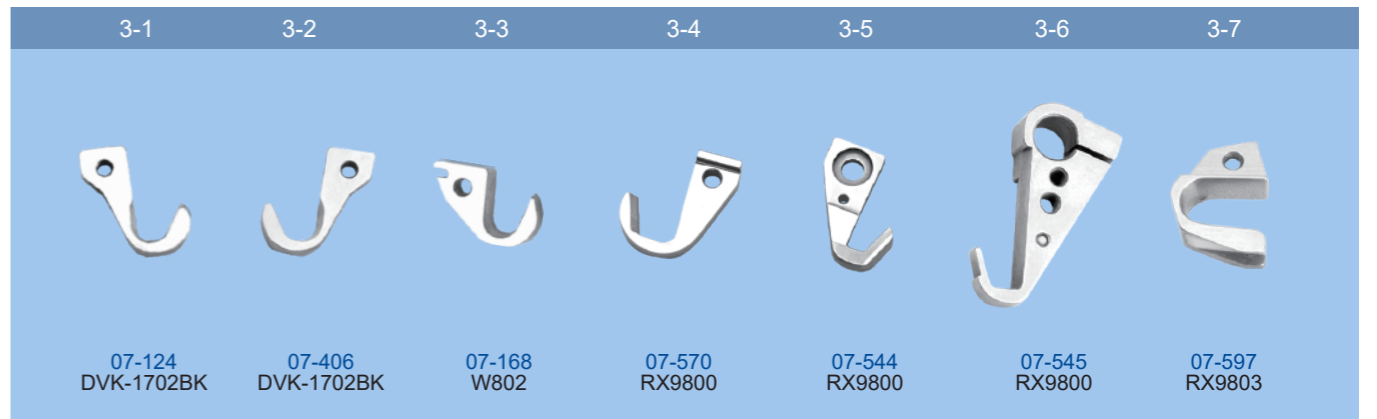
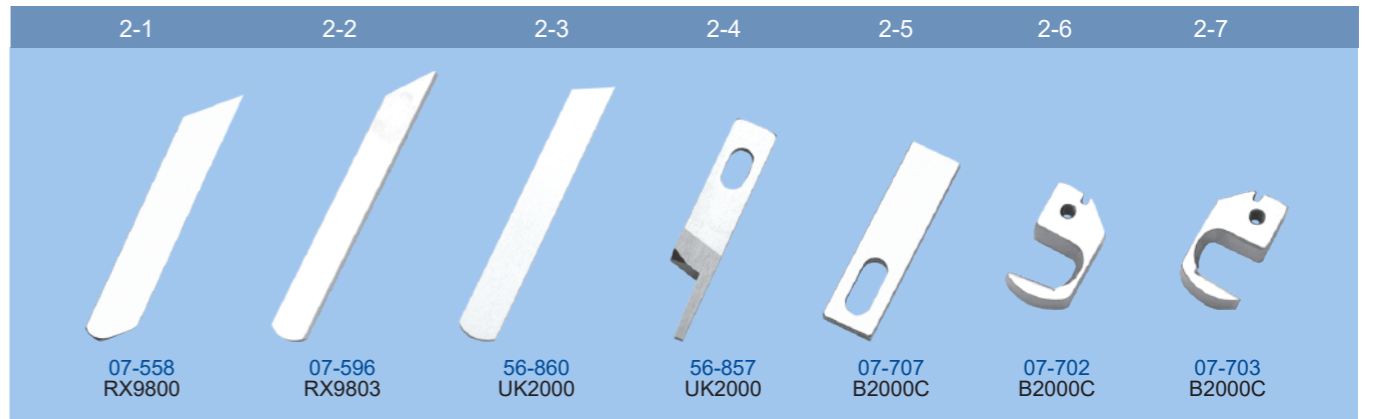
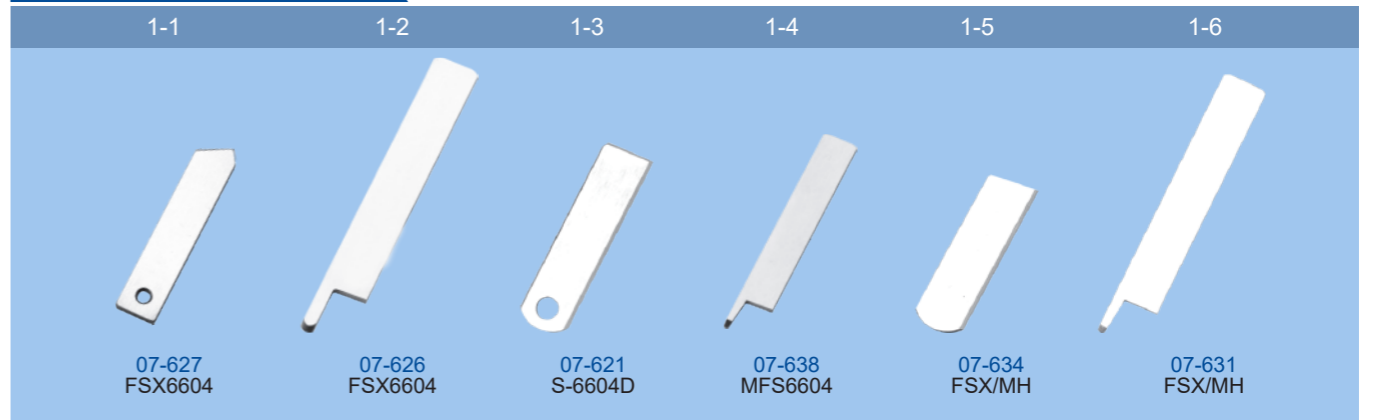


# 工业缝纫机刀类

KNIVES FOR INDUSTRIAL SEWING MACHINES

INDUSTRIAL SEWING MACHINES SPARE PARTS

## FOR KANSAI SPECIAL/关西

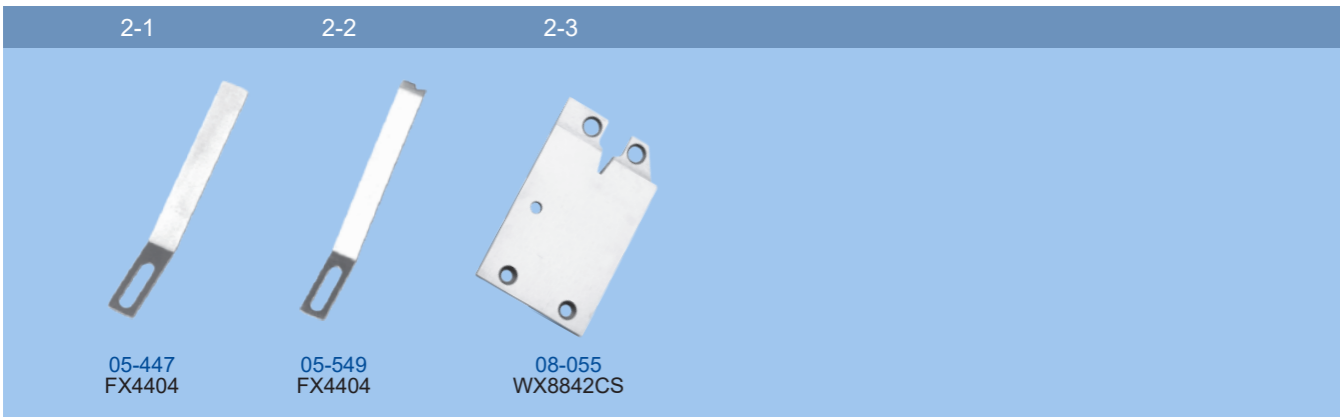
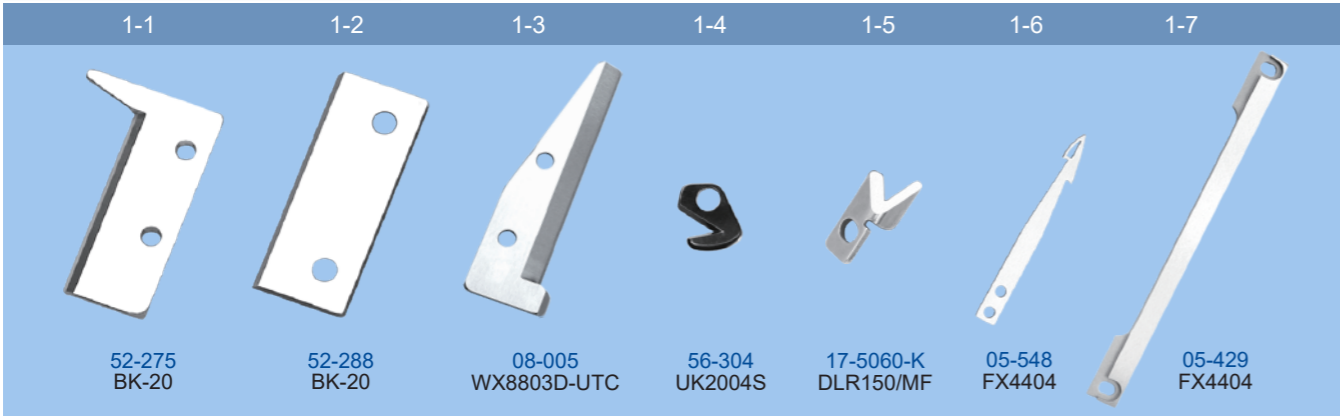


# 工业缝纫机刀类

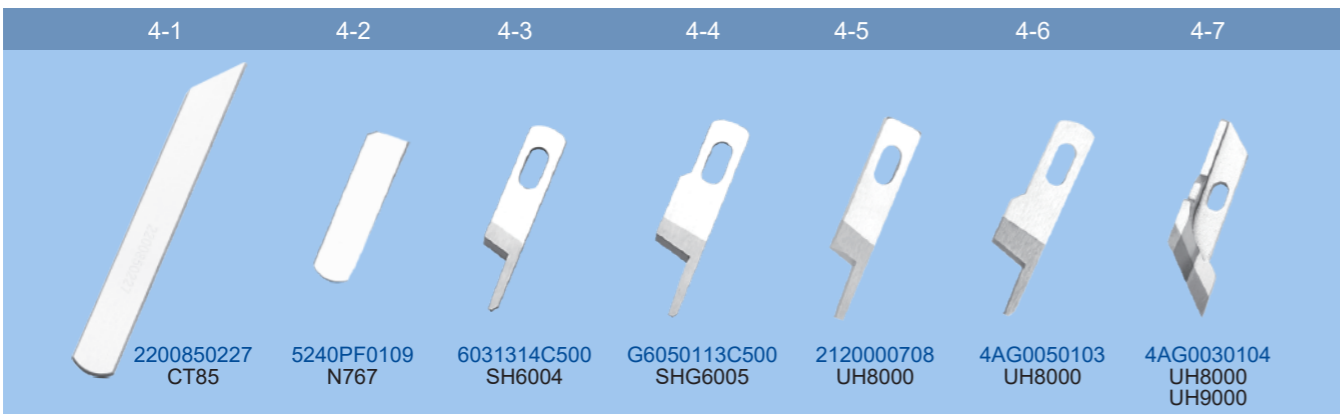
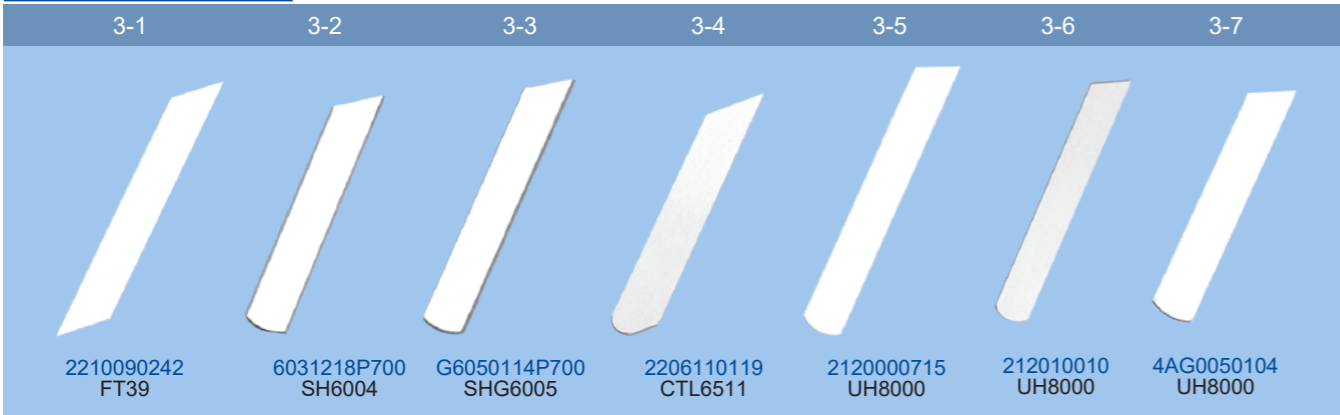
KNIVES FOR INDUSTRIAL SEWING MACHINES

INDUSTRIAL SEWING MACHINES SPARE PARTS

## FOR KANSAI SPECIAL/关西



## FOR KINGTEX/宝狮

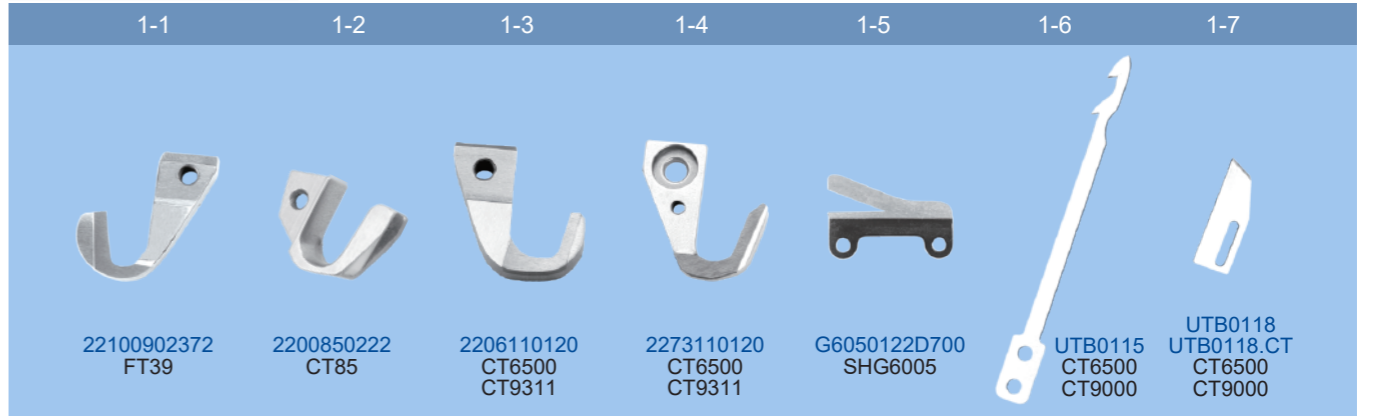


# 工业缝纫机刀类

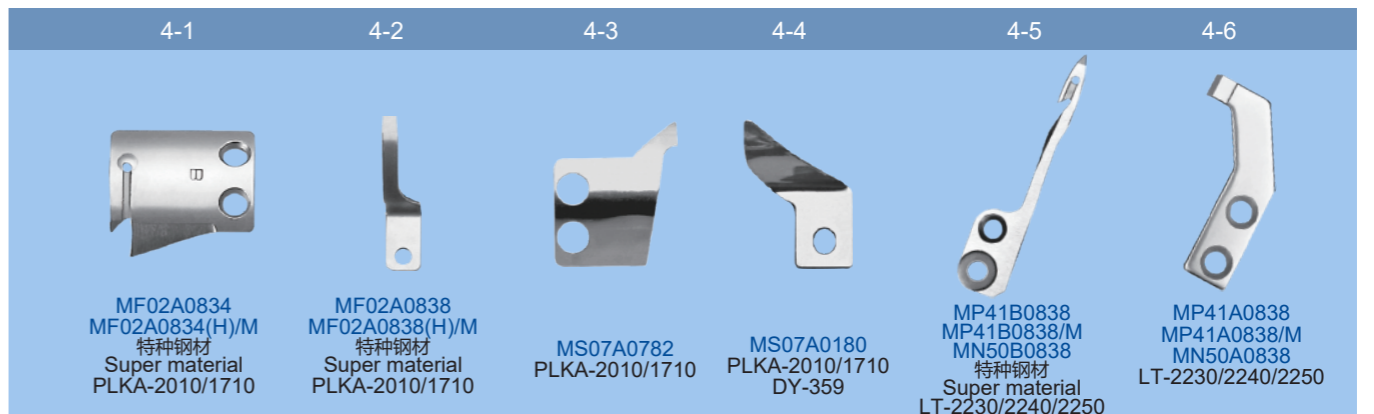
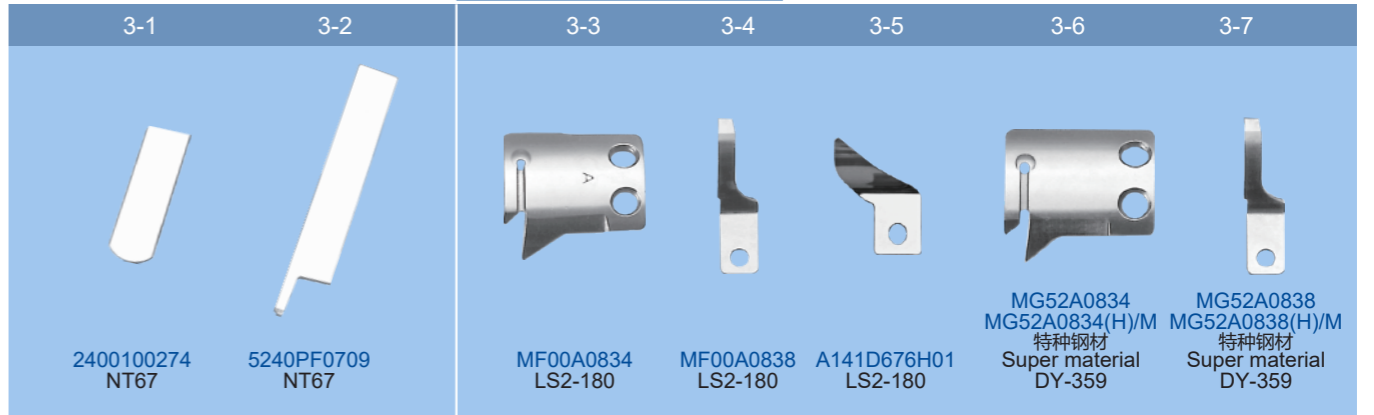
KNIVES FOR INDUSTRIAL SEWING MACHINES

INDUSTRIAL SEWING MACHINES SPARE PARTS

## FOR KINGTEX/宝狮



## FOR MITSUBISHI/三菱



# 工业缝纫机刀类








KNIVES FOR INDUSTRIAL SEWING MACHINES

INDUSTRIAL SEWING MACHINES SPARE PARTS






## FOR MITSUBISHI/三菱







1-1	1-2	1-3	1-4	1-5	1-6
					
MS03B0838 MS03B0838/M 特种钢材 Super material PLKA/B-1006/1010	MS03A0838 PLKA/B-1006/1010	MF90B0838 LS2-190	MF90A0838 LS2-190	96-700535-05 ZA815	96-700591-05 CS816

## FOR MERROW/梅罗

2-1	2-2	2-3	2-4	2-5	2-6	2-7
						
6-91	6-91E	6-91K	6-90	6-90-C	A-90-3 70-DB3	A-90-7 D4

## FOR PFAFF/百福

3-1	3-2	3-3	3-4	3-5
				
91-189140-05 3822/3827	91-188294-05 3822/3827	91-188303-05 3822/3827	91-140726-01 1243	91-141911-01 1243

4-1	4-2	4-3	4-4	4-5	4-6
					
91-264338-15 1481/1483/1487 2481/2483/5463/5483 5489/3566/3568 3588/3819/3822/3827	91-264240-05 1050/1180 951/953/563	91-014046-05 1050/1180	91-165505-05 333/335/337 461/463/469/481/483 487/489/1051/1053 1181/1183	91-500399-05	91-500397-05

# 工业缝纫机刀类








KNIVES FOR INDUSTRIAL SEWING MACHINES









INDUSTRIAL SEWING MACHINES SPARE PARTS








## FOR PFAFF/百福

1-1	1-2	1-3	1-4	1-5	1-6	1-7
						
91-263294-05 571/574	91-263139-05 571/574	91-263348-05 3734-12/31	95-774855-05 95-774855-05.L 加长(lengthen) 571/574/591	95-774853-05 571/574/591	95-774856-05(0.3mm) 95-774856-05-L(0.4mm) 95-774856-05-A(0.5mm) 571/574/591	95-774464-25 571/574/591

## FOR PEGASUS/飞马

2-1	2-2	2-3	2-4	2-5	2-6	2-7
						
202893 202893[HSS] E/L52/R	202295 E/L52/R	CT202295 E/L52/R	2022950 M852-13	201127 E/L52/R(薄)	(B) (B)[HSS] R57	204161 L32/W562

3-1	3-2	3-3	3-4	3-5	3-6	3-7	3-8
							
2041610 M832-70	204161A W664-35	2A000600000 W3662-33	2A0008000009 WT264-35	137562 DC/DCP/DCM	200959 DCM-204	277009 EX5214	204351 L32-38

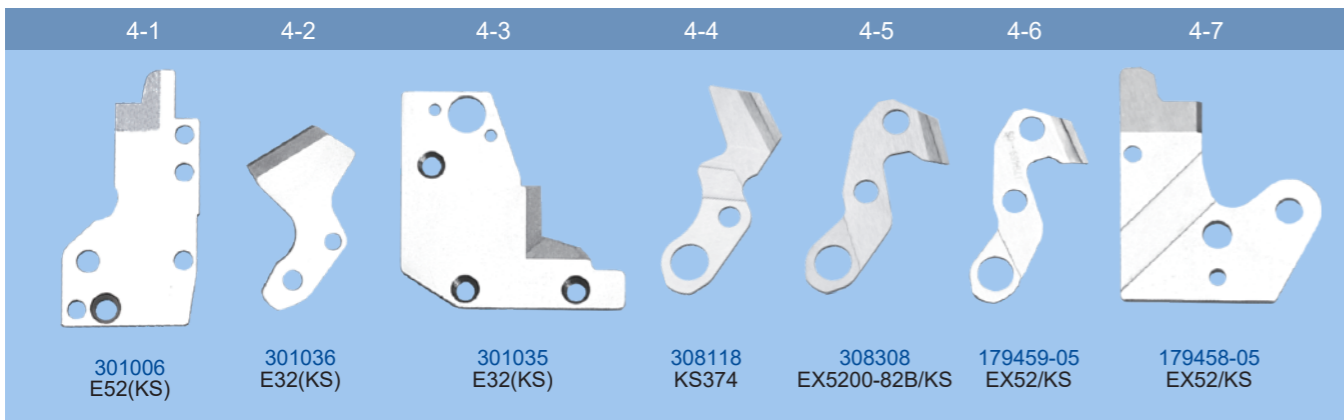
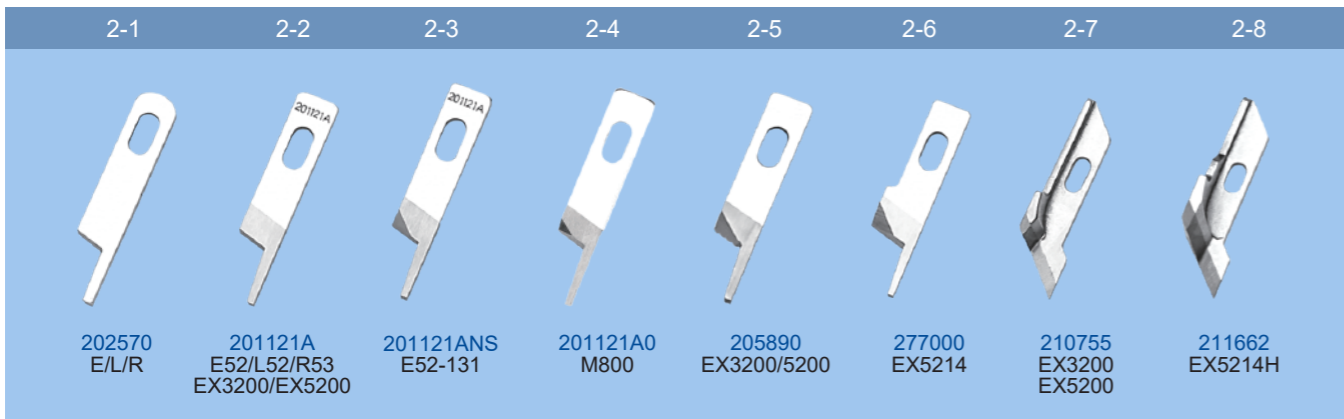
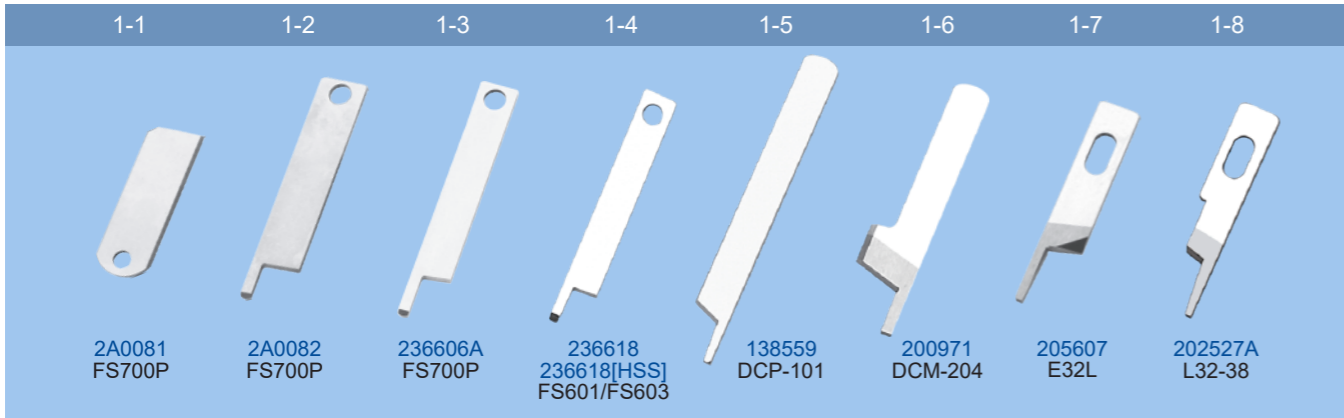
4-1	4-2	4-3	4-4	4-5	4-6	4-7
						
205609 R57L	208393 M722	213108 E51-210	213108A EX5100	232026 S603	236608 236608[HSS] 236608.SH 特殊耐用钢 Super durable material FS601/FS603	236606 236606[HSS] 236606.SH 特殊耐用钢 Super durable material FS601/FS603

# 工业缝纫机刀类

KNIVES FOR INDUSTRIAL SEWING MACHINES

INDUSTRIAL SEWING MACHINES SPARE PARTS

## FOR PEGASUS/飞马

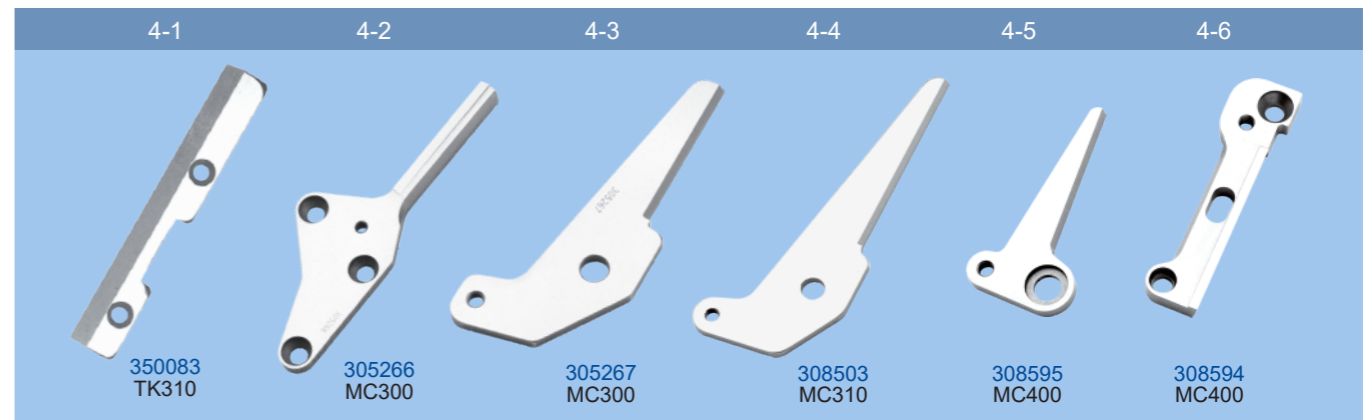
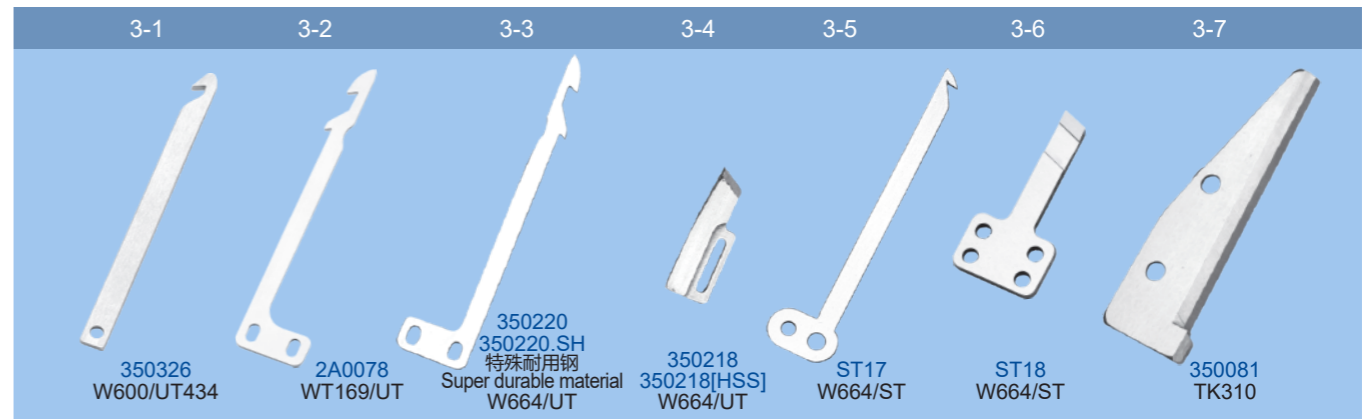
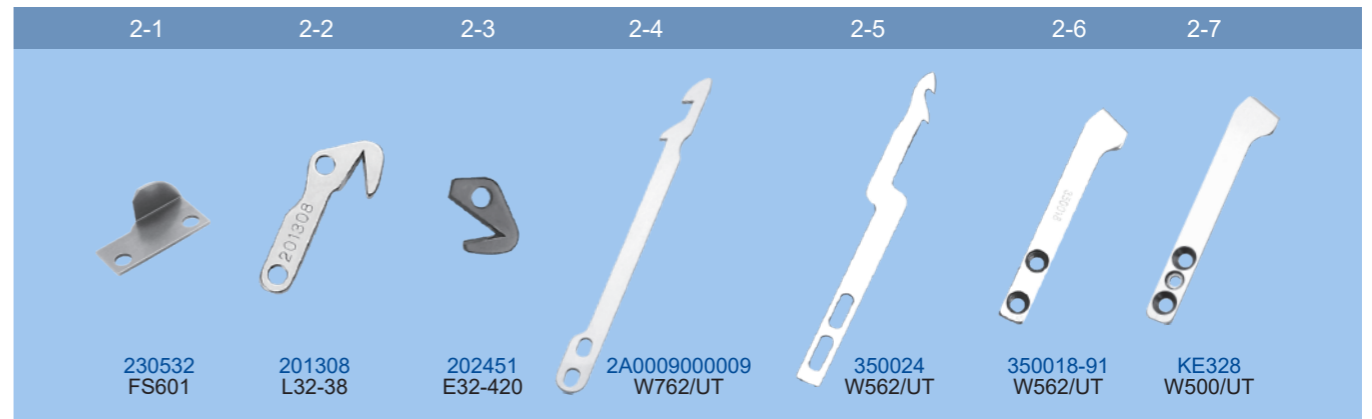
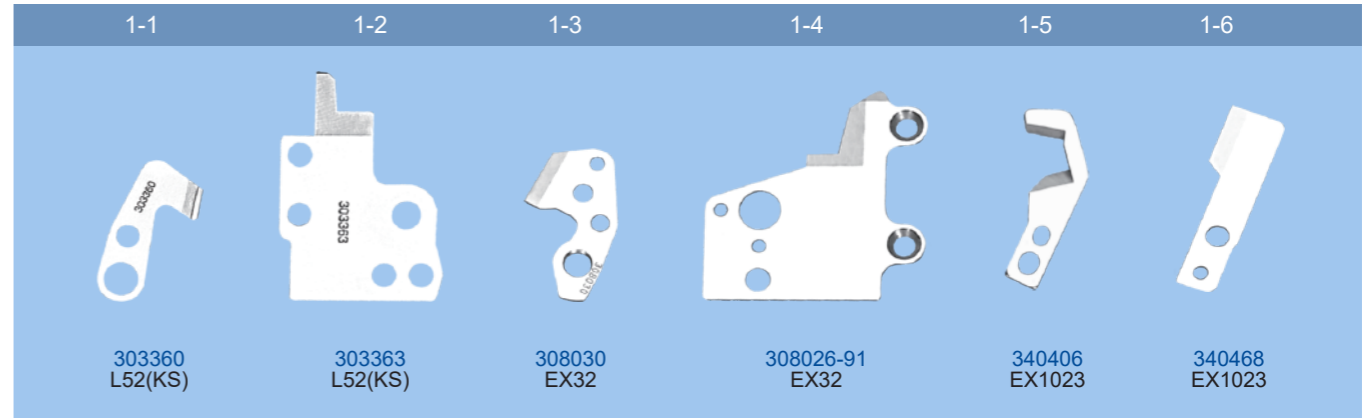


# 工业缝纫机刀类

KNIVES FOR INDUSTRIAL SEWING MACHINES

INDUSTRIAL SEWING MACHINES SPARE PARTS

## FOR PEGASUS/飞马

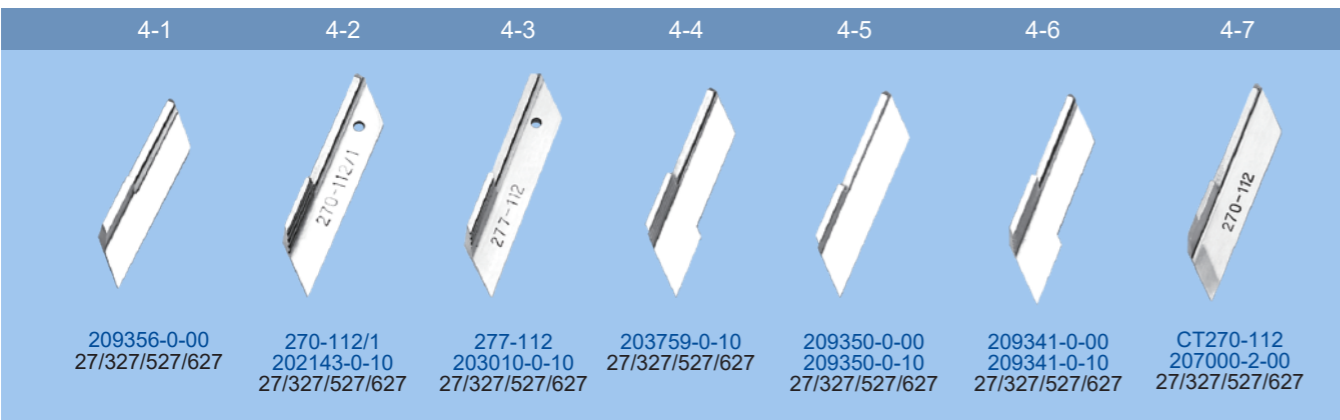
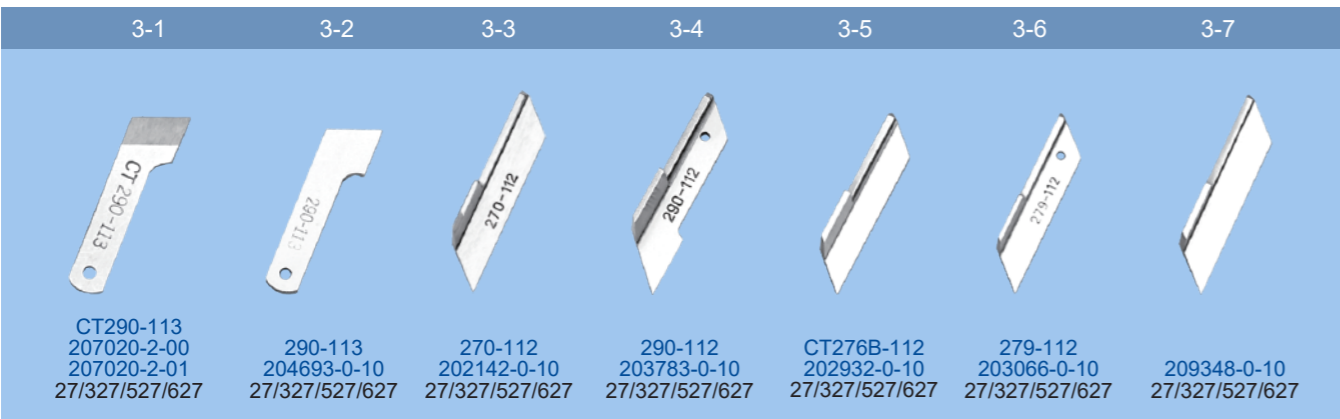
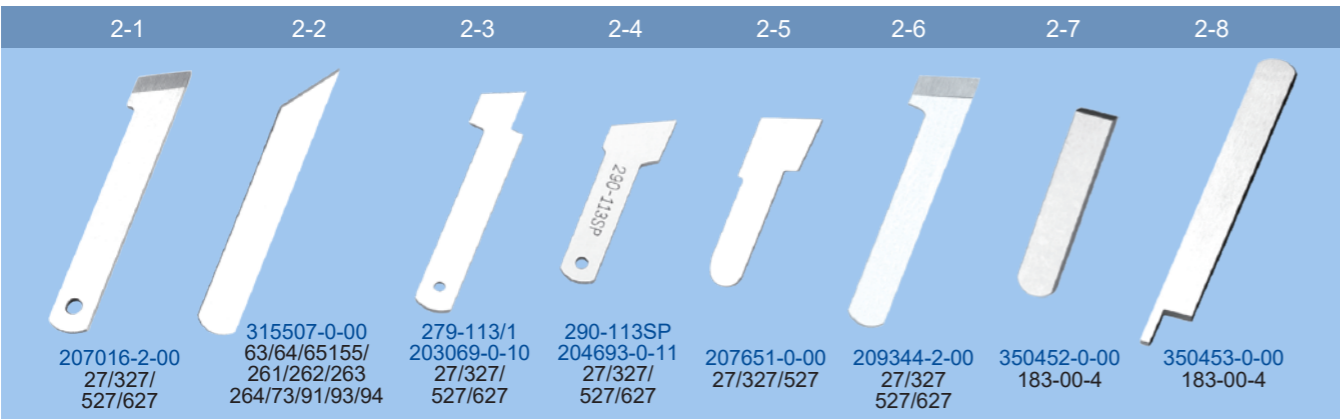
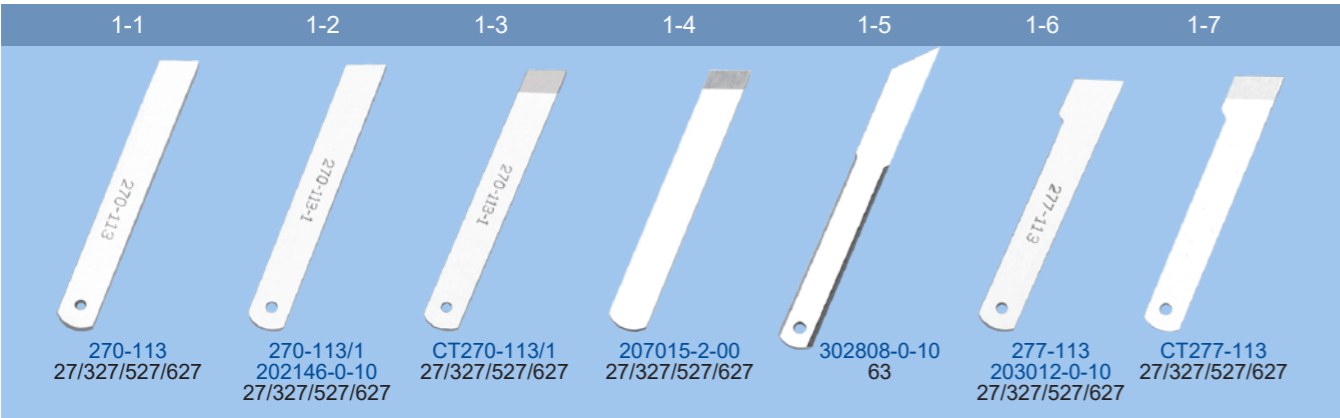


# 工业缝纫机刀类

KNIVES FOR INDUSTRIAL SEWING MACHINES

INDUSTRIAL SEWING MACHINES SPARE PARTS

## FOR RIMOLDI/利满地

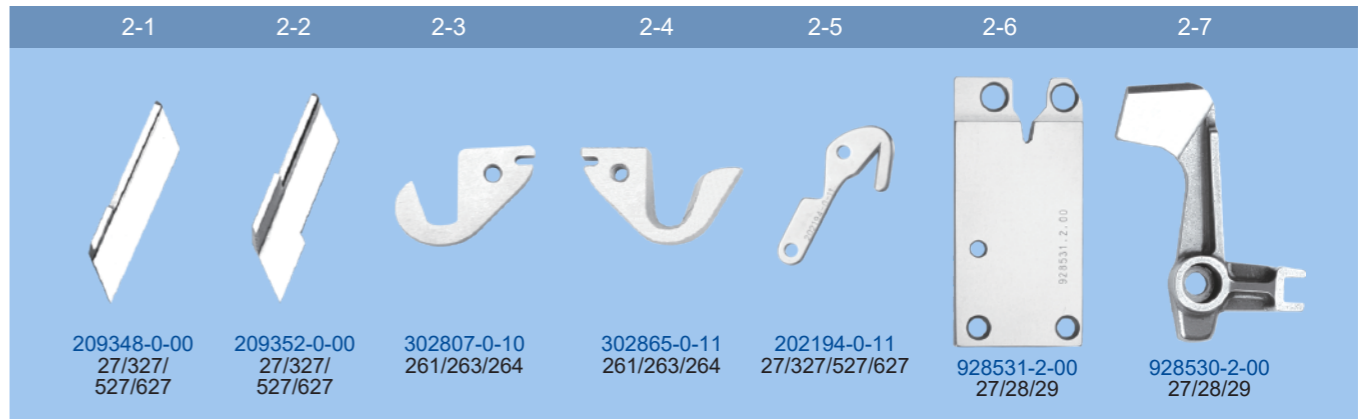
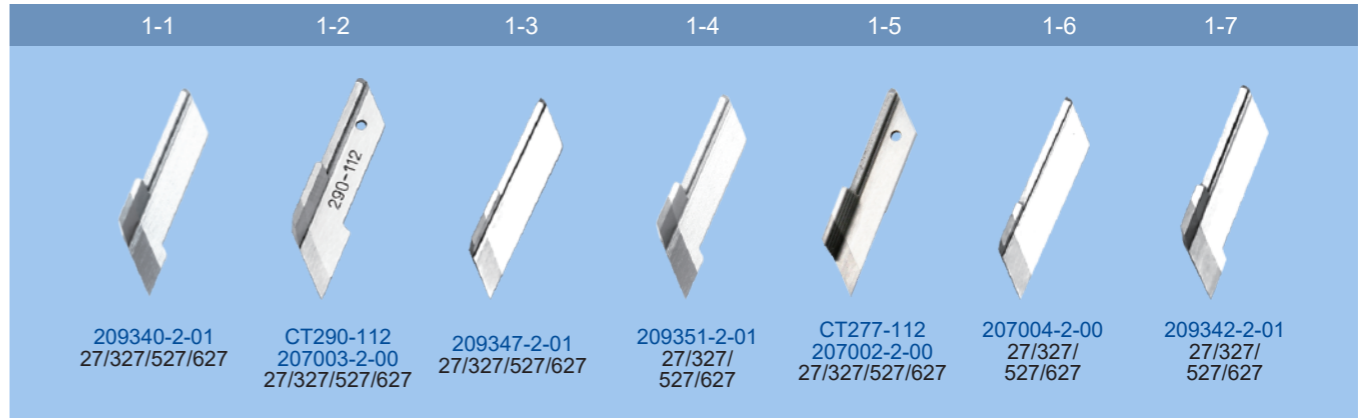


# 工业缝纫机刀类

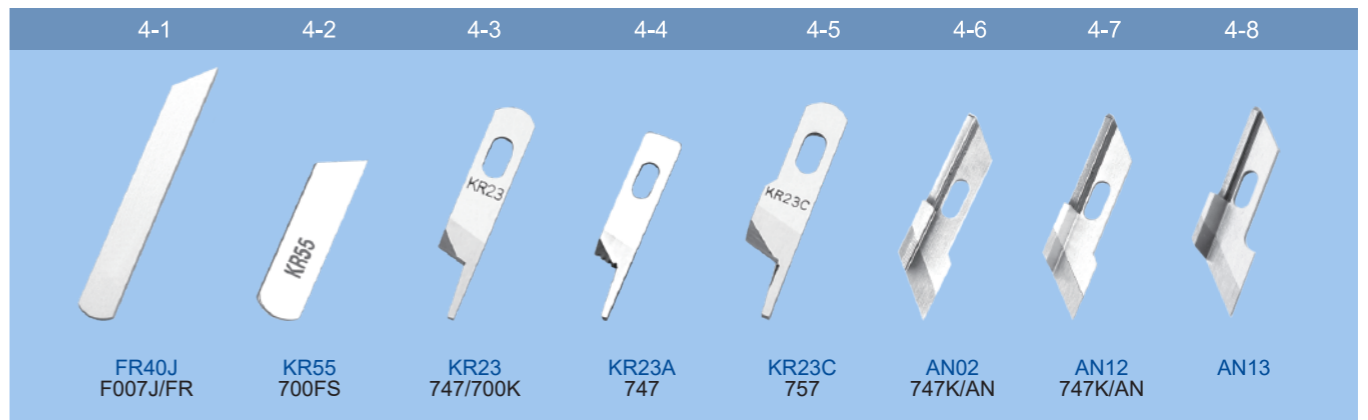
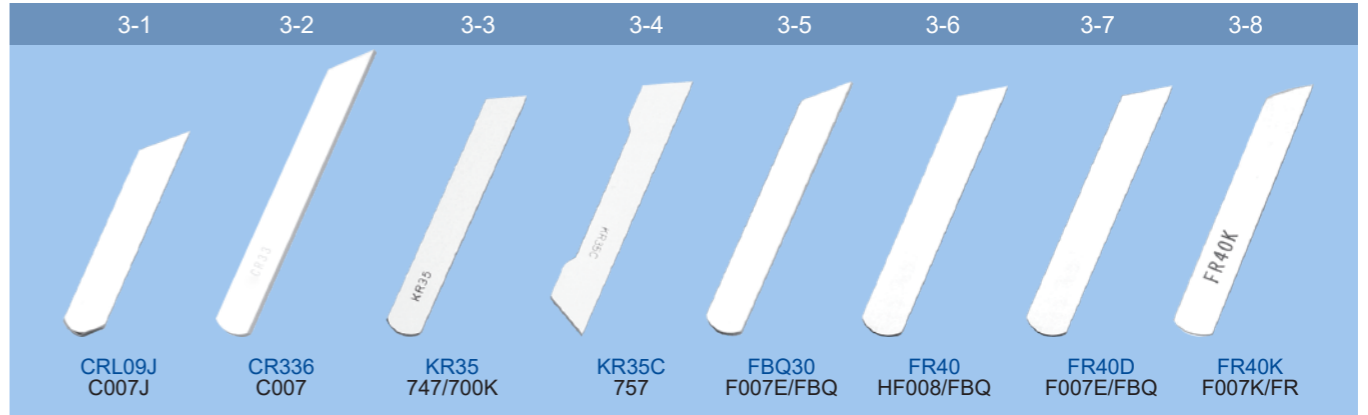
KNIVES FOR INDUSTRIAL SEWING MACHINES

INDUSTRIAL SEWING MACHINES SPARE PARTS

## FOR RIMOLDI/利满地



## FOR SIRUBA/银箭

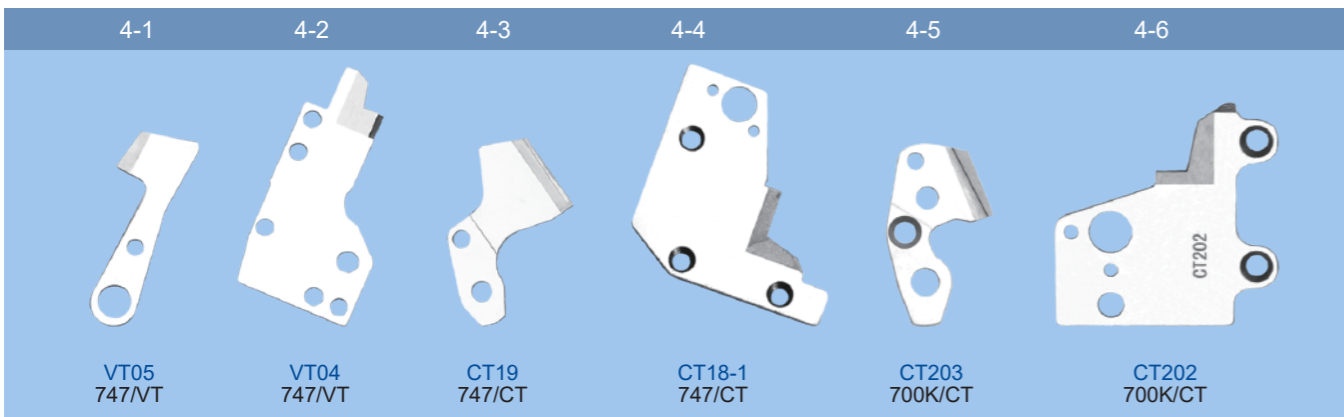
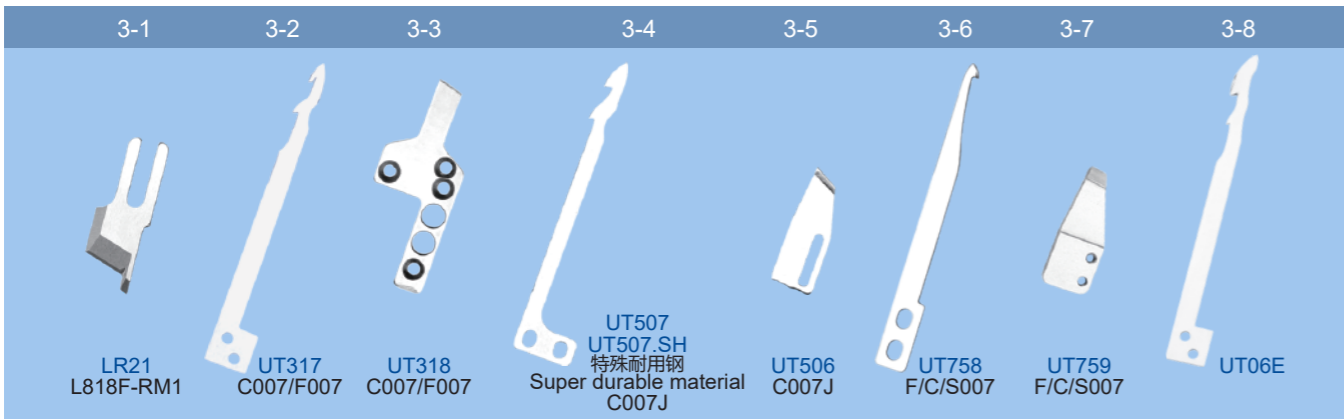
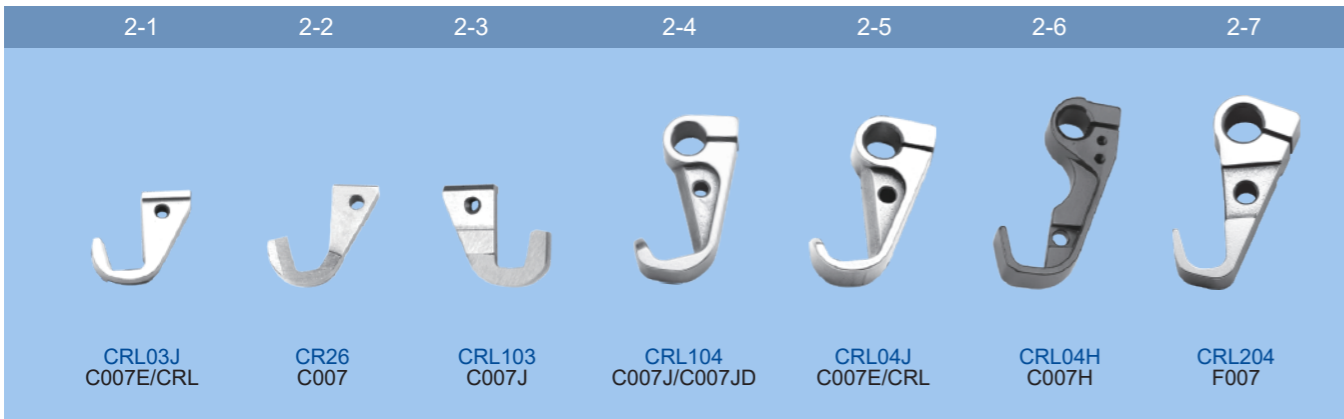


# 工业缝纫机刀类

KNIVES FOR INDUSTRIAL SEWING MACHINES

INDUSTRIAL SEWING MACHINES SPARE PARTS

## FOR SIRUBA/银箭

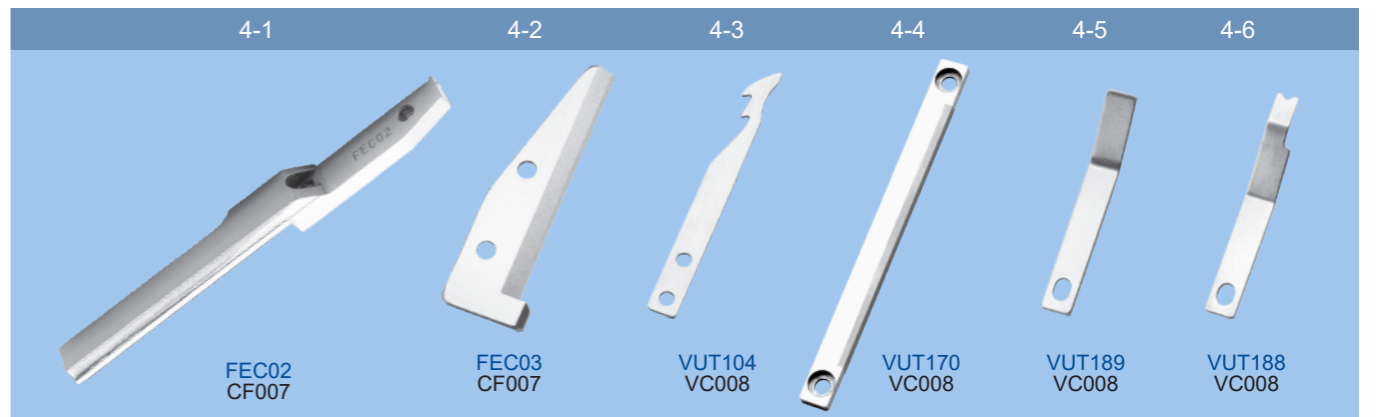
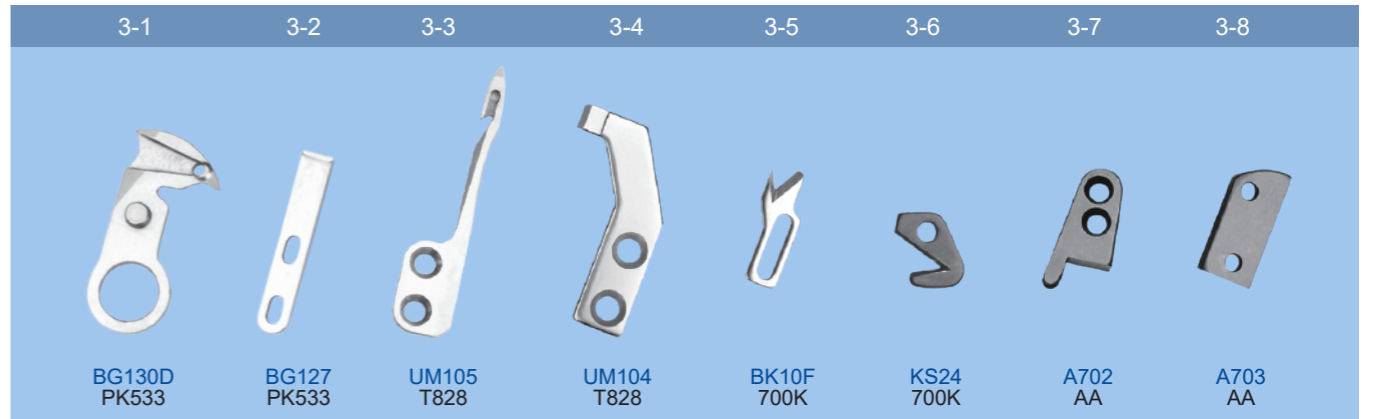
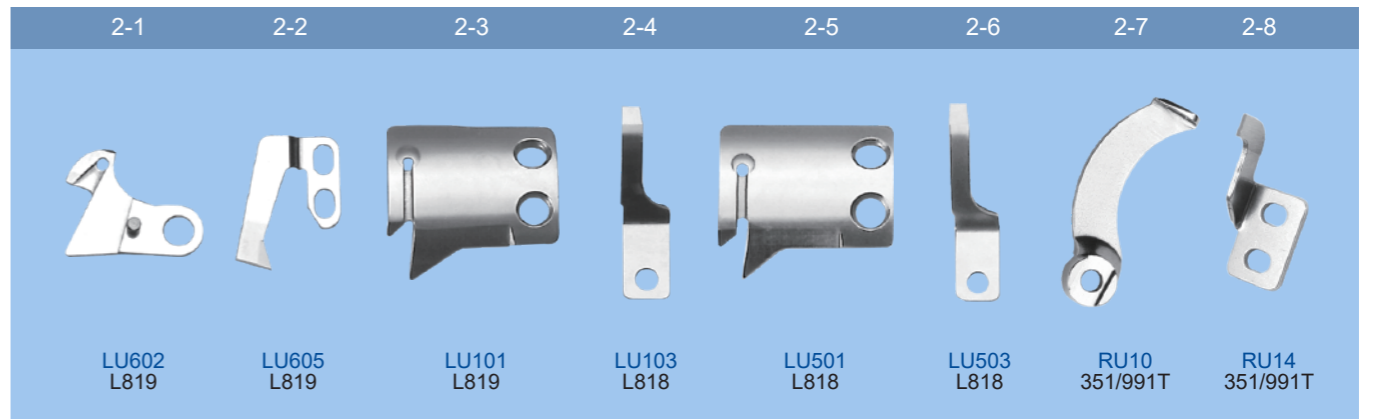
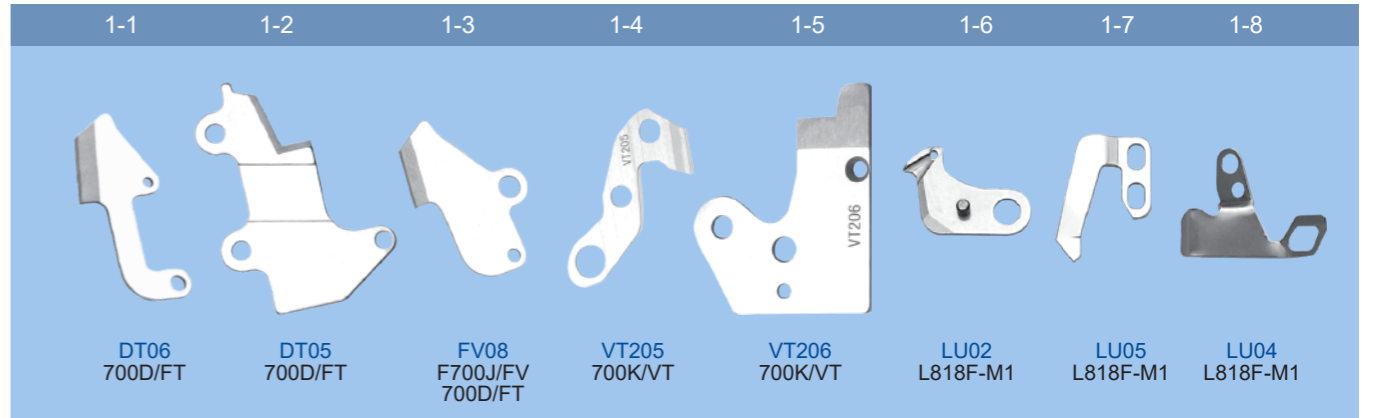


# 工业缝纫机刀类

KNIVES FOR INDUSTRIAL SEWING MACHINES

INDUSTRIAL SEWING MACHINES SPARE PARTS

## FOR SIRUBA/银箭

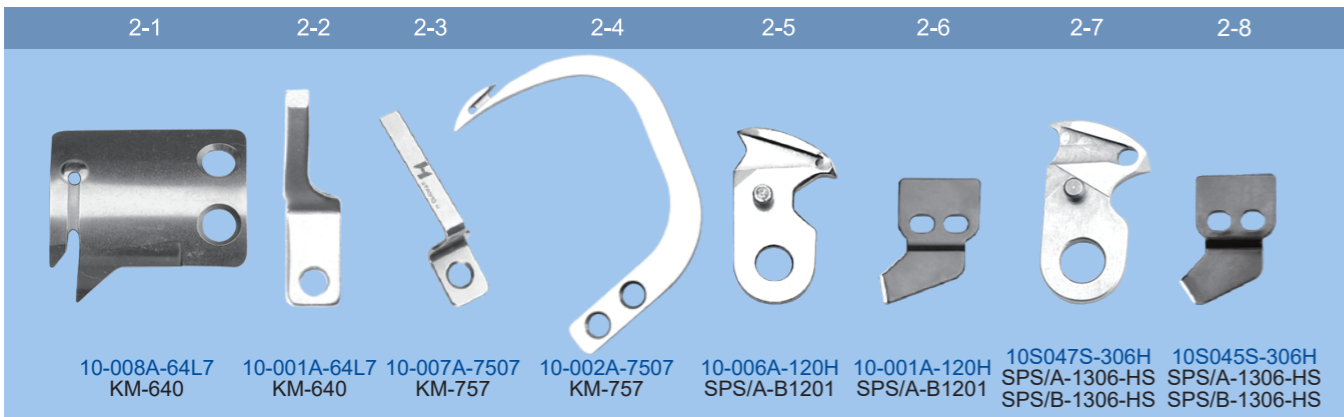
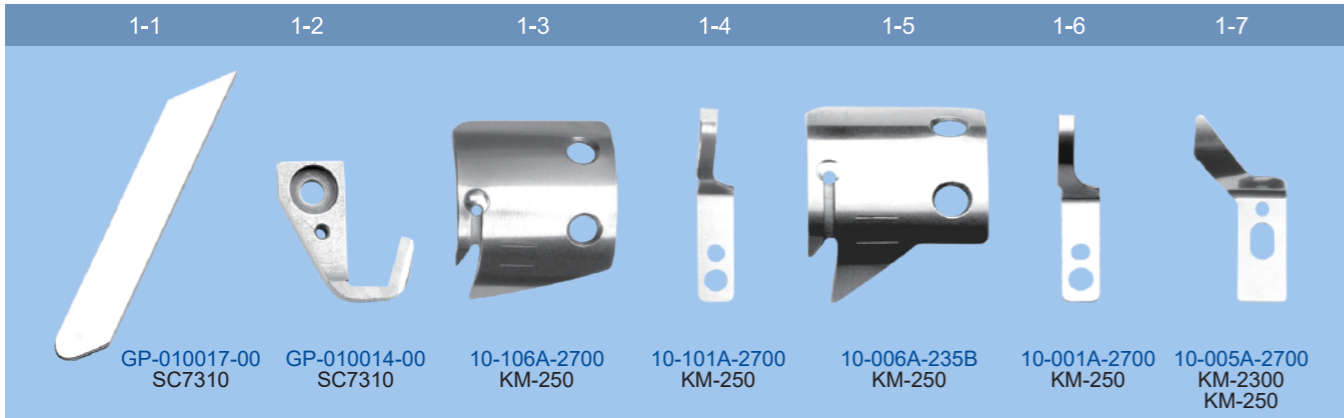


# 工业缝纫机刀类

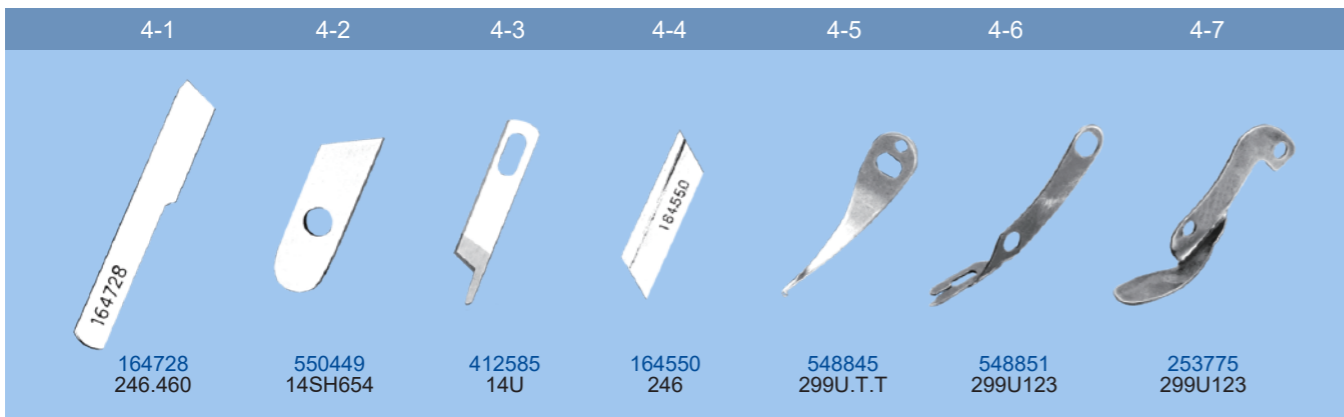
KNIVES FOR INDUSTRIAL SEWING MACHINES

INDUSTRIAL SEWING MACHINES SPARE PARTS

## FOR SUN STAR/日星



## FOR SINGER/胜家

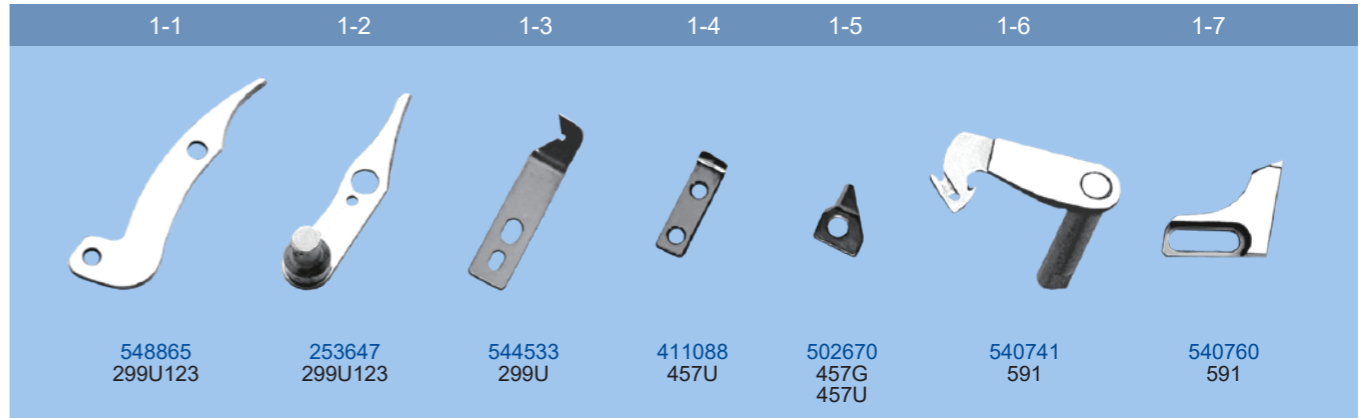


# 工业缝纫机刀类

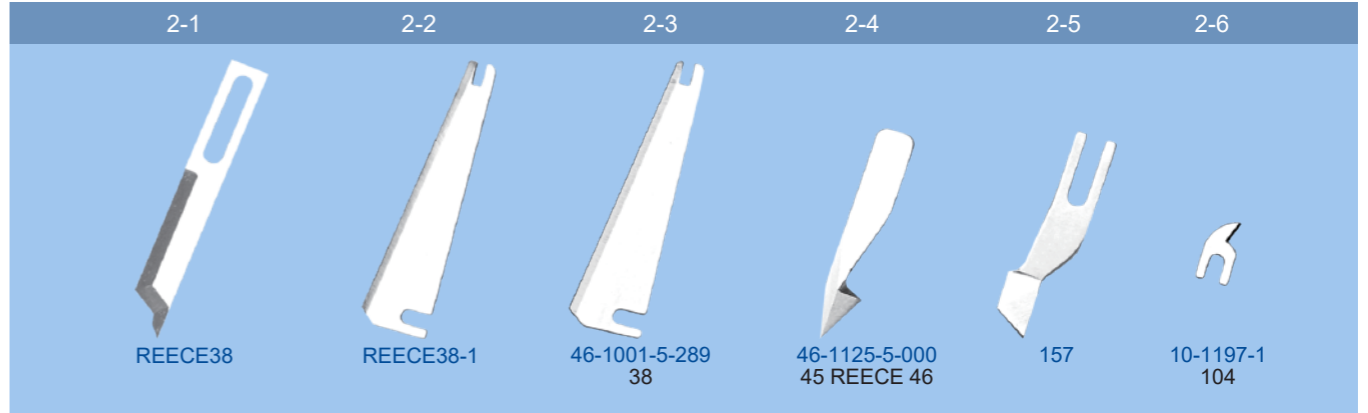
KNIVES FOR INDUSTRIAL SEWING MACHINES

INDUSTRIAL SEWING MACHINES SPARE PARTS

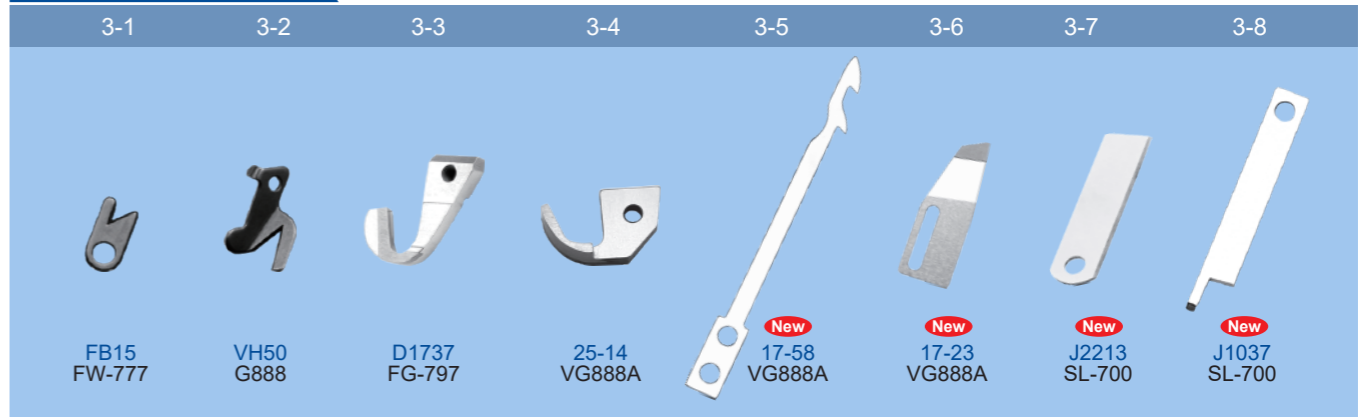
## FOR SINGER/胜家



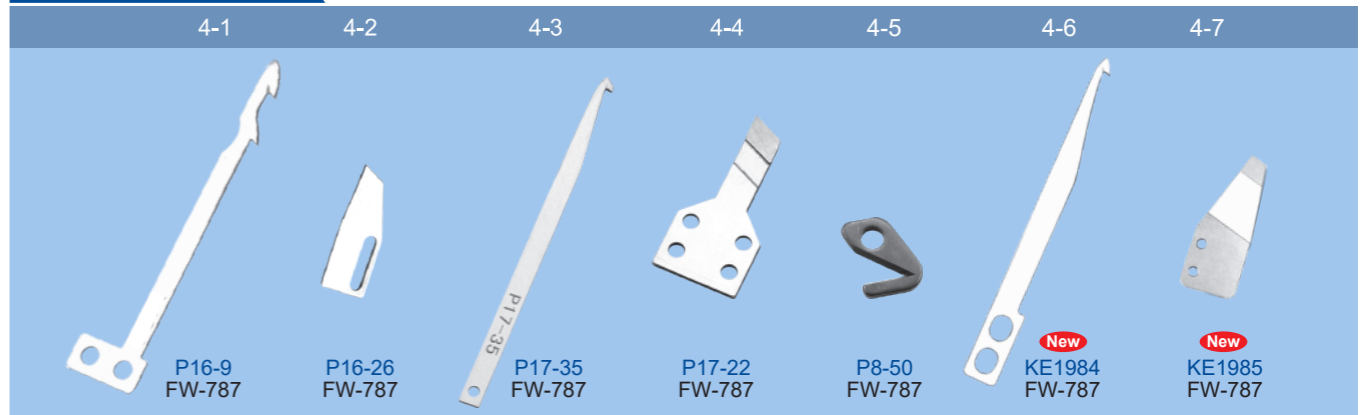
## FOR REECE/利是



## FOR SHING LING/星菱



## FOR SHING RAY/星锐

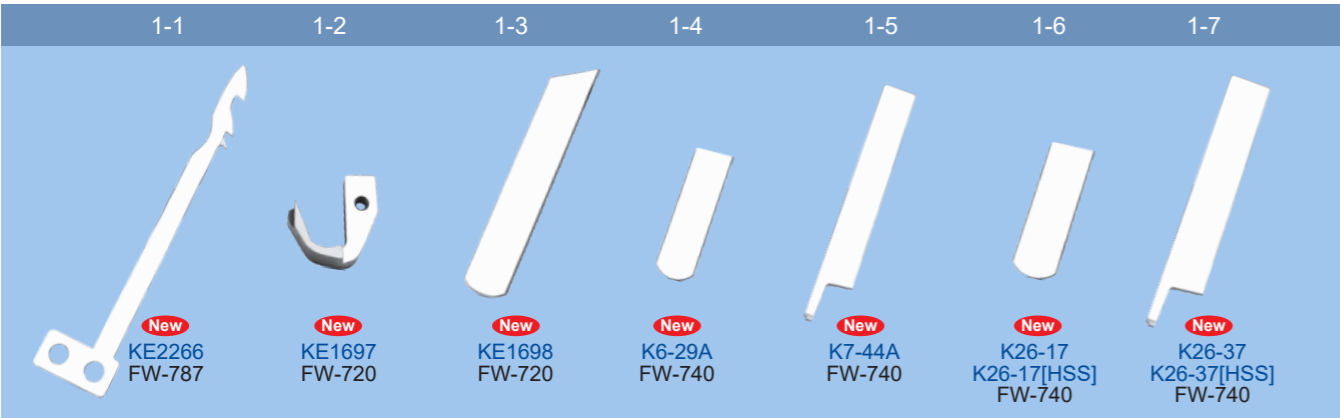


# 工业缝纫机刀类

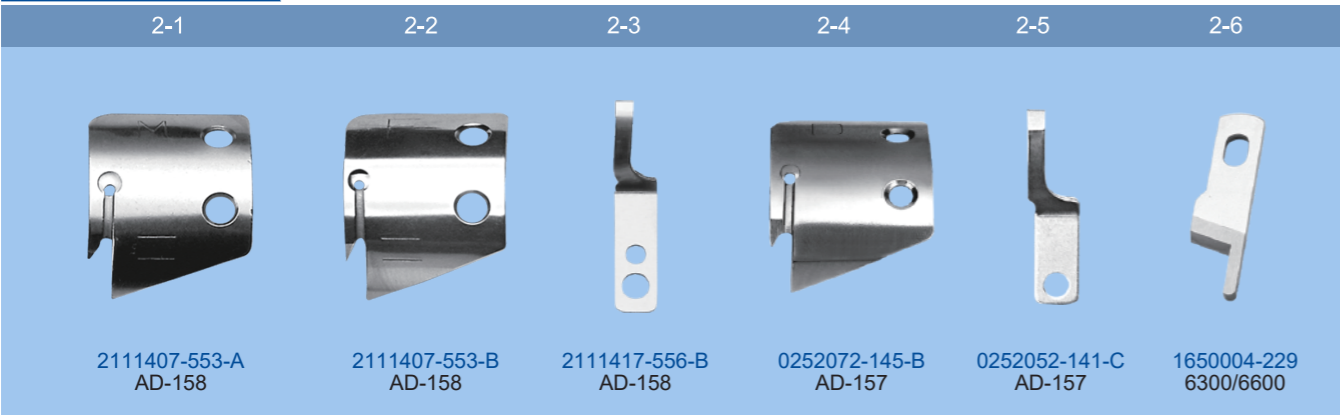
KNIVES FOR INDUSTRIAL SEWING MACHINES

INDUSTRIAL SEWING MACHINES SPARE PARTS

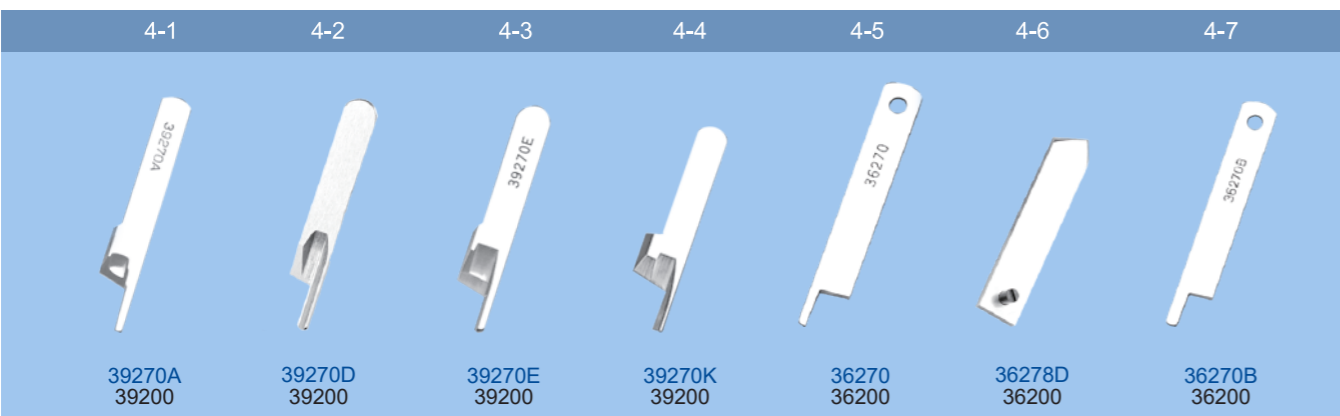
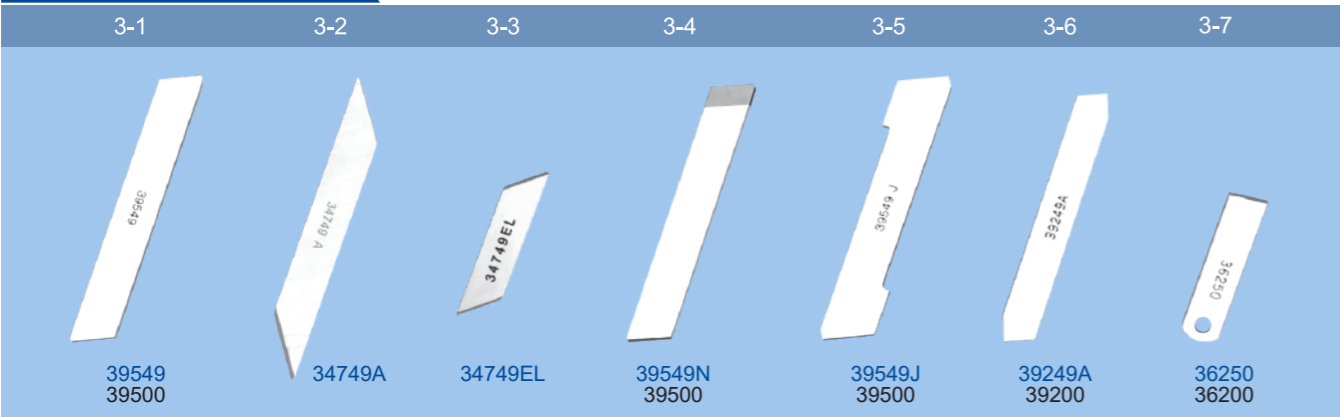
## FOR SHING RAY/星锐



## FOR TOYOTA/丰田



## FOR UNION SPECIAL/友联

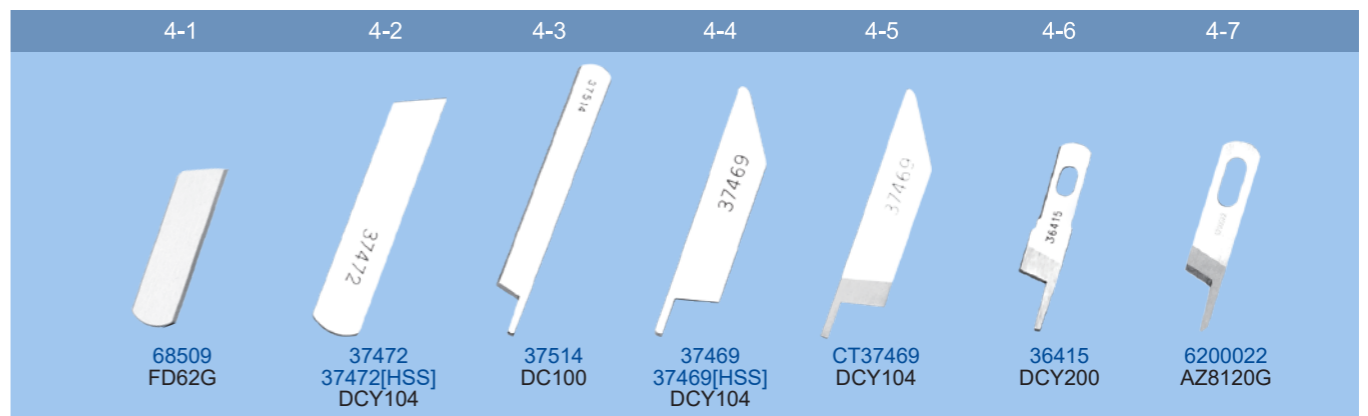
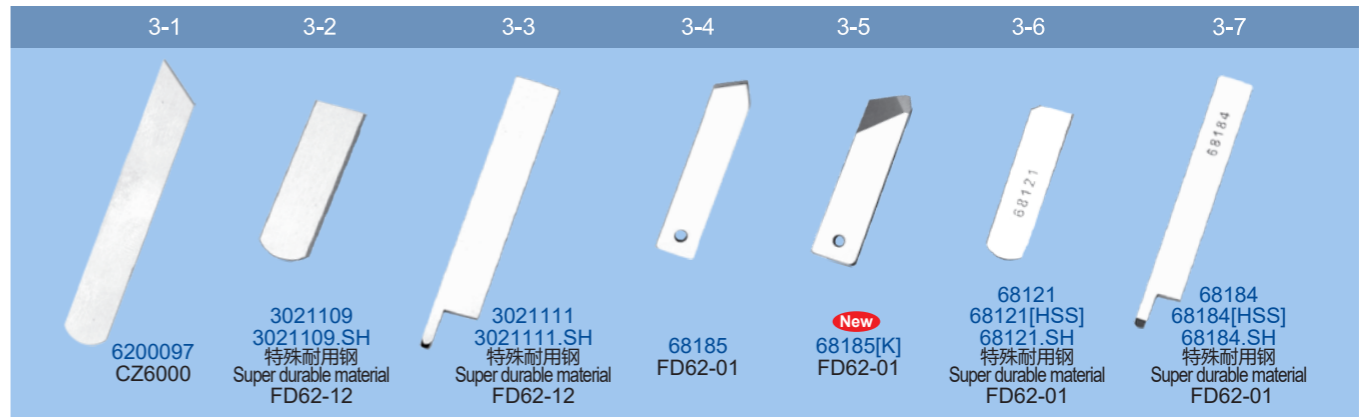
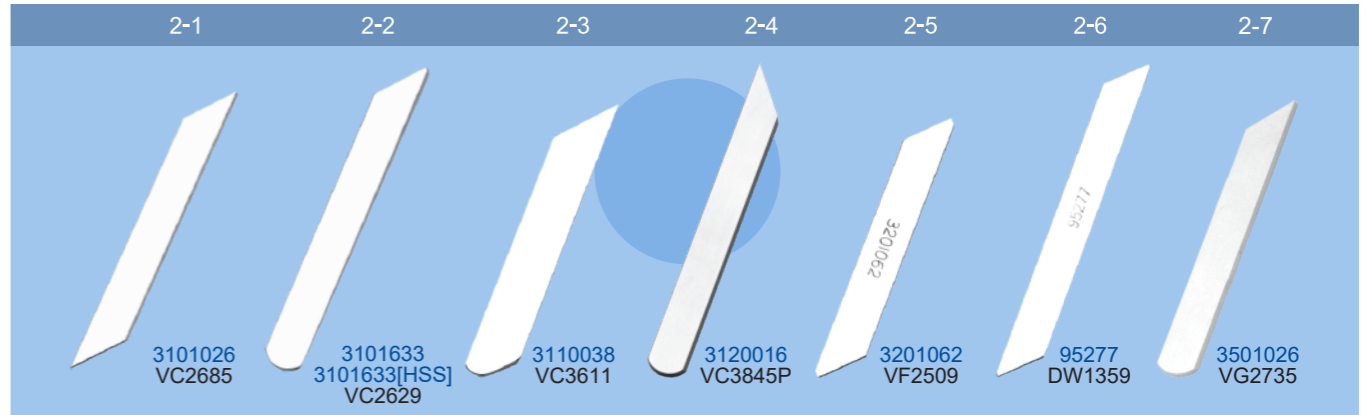
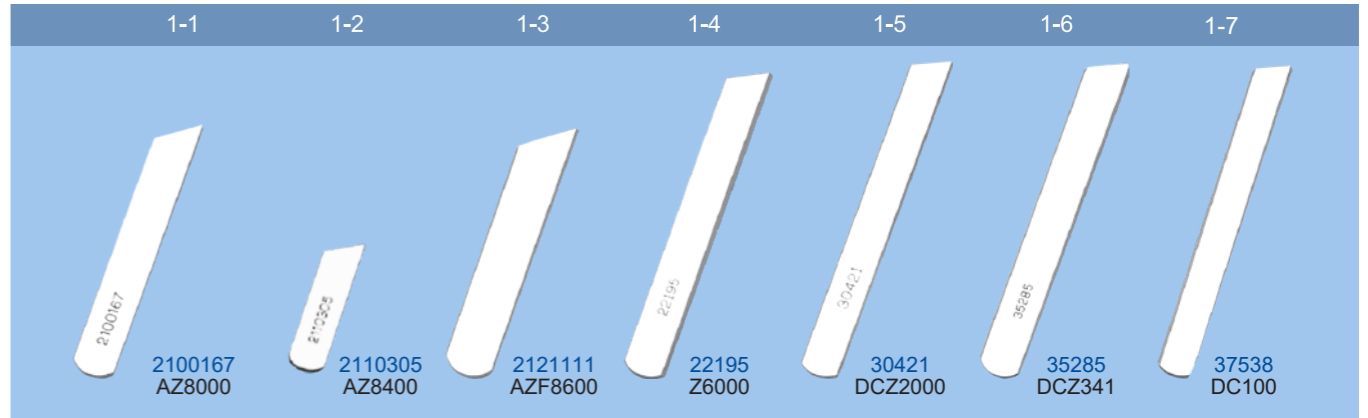


# 工业缝纫机刀类

KNIVES FOR INDUSTRIAL SEWING MACHINES

INDUSTRIAL SEWING MACHINES SPARE PARTS

## FOR YAMATO/大和

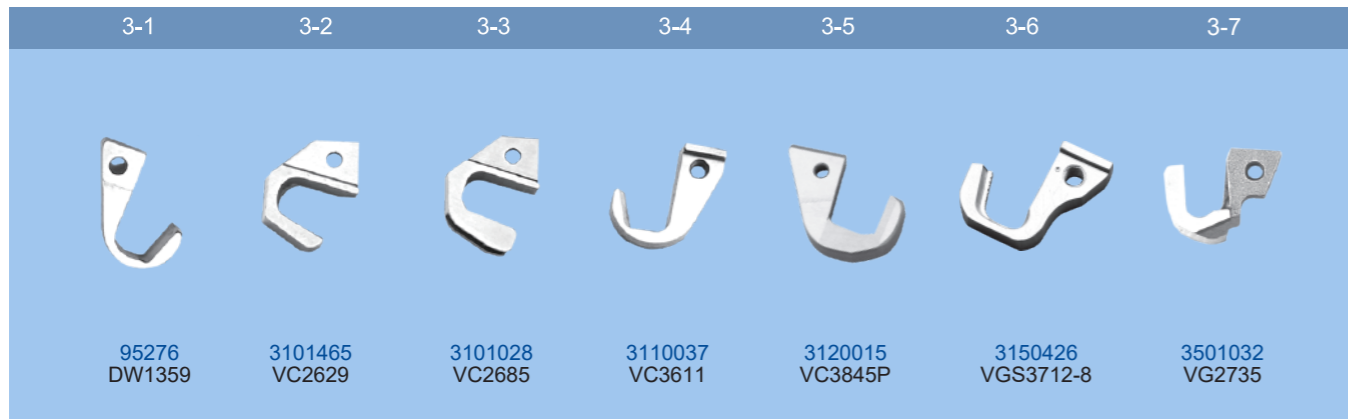
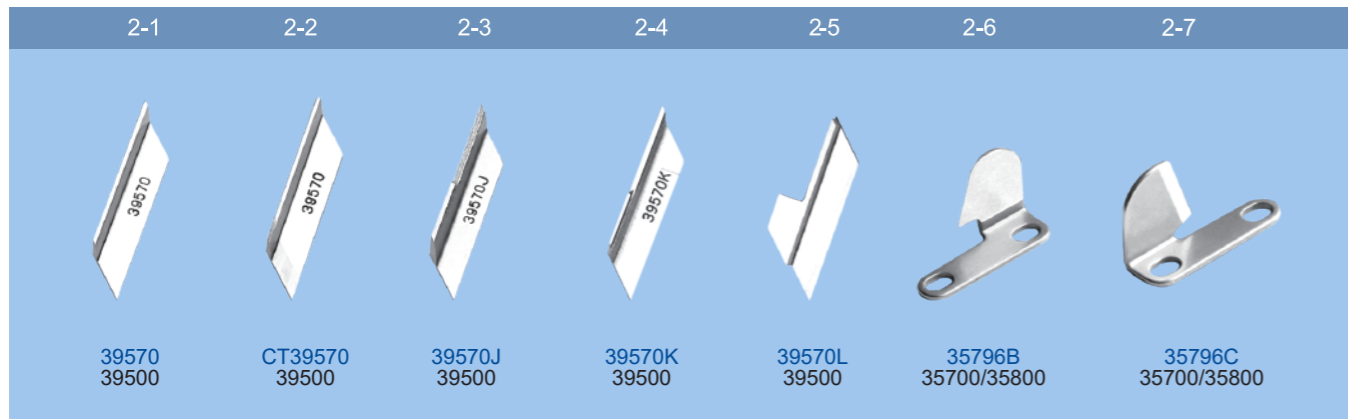
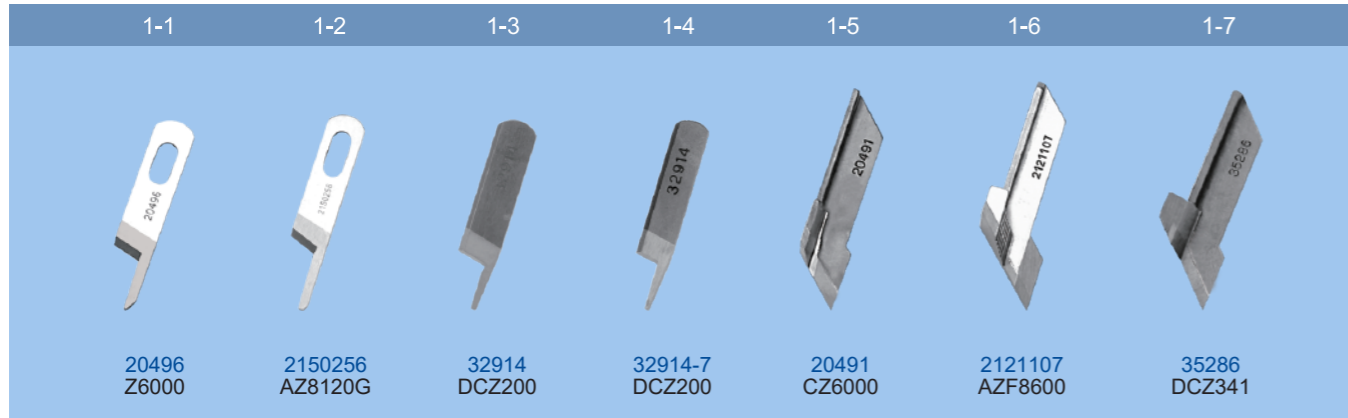


# 工业缝纫机刀类

KNIVES FOR INDUSTRIAL SEWING MACHINES

INDUSTRIAL SEWING MACHINES SPARE PARTS

## FOR YAMATO/大和

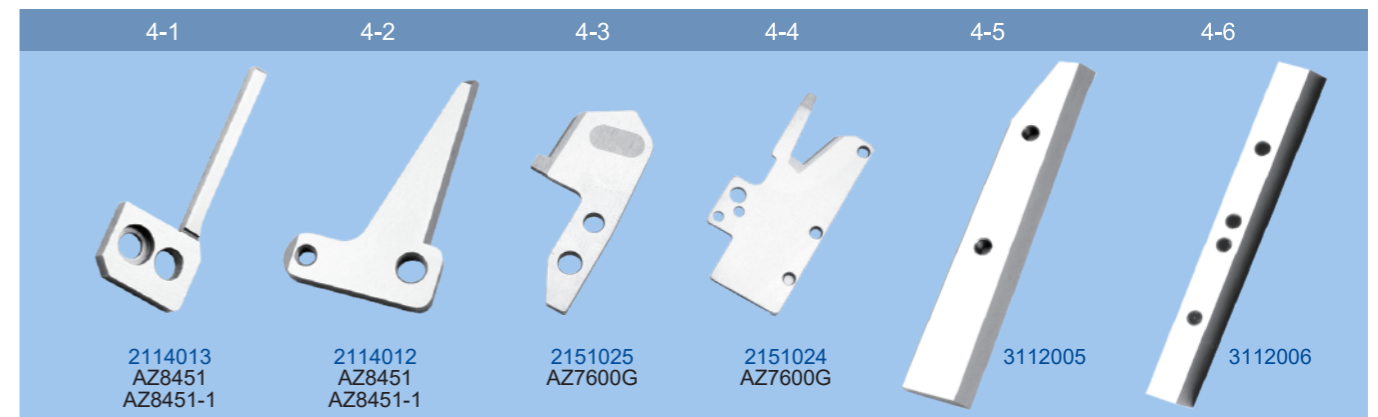
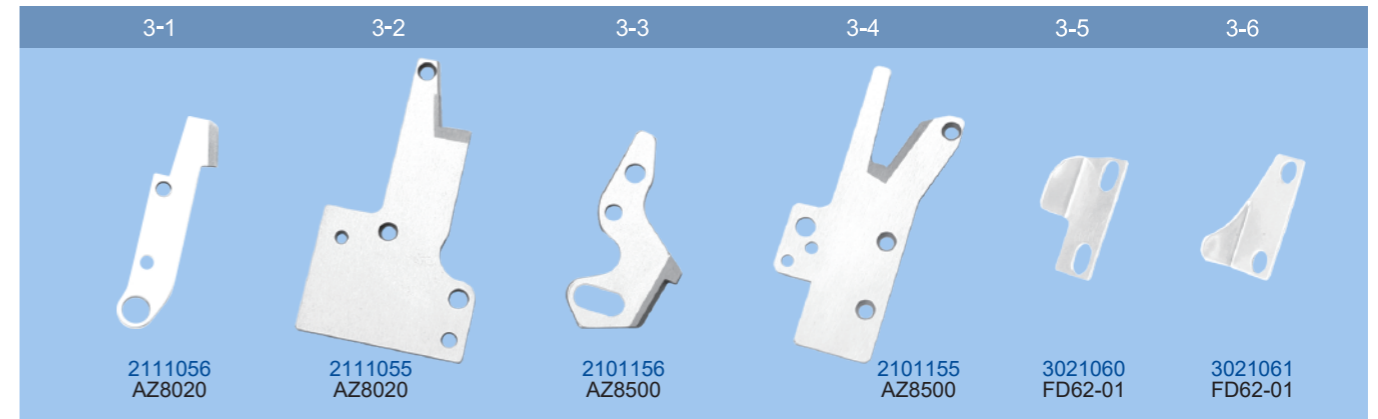
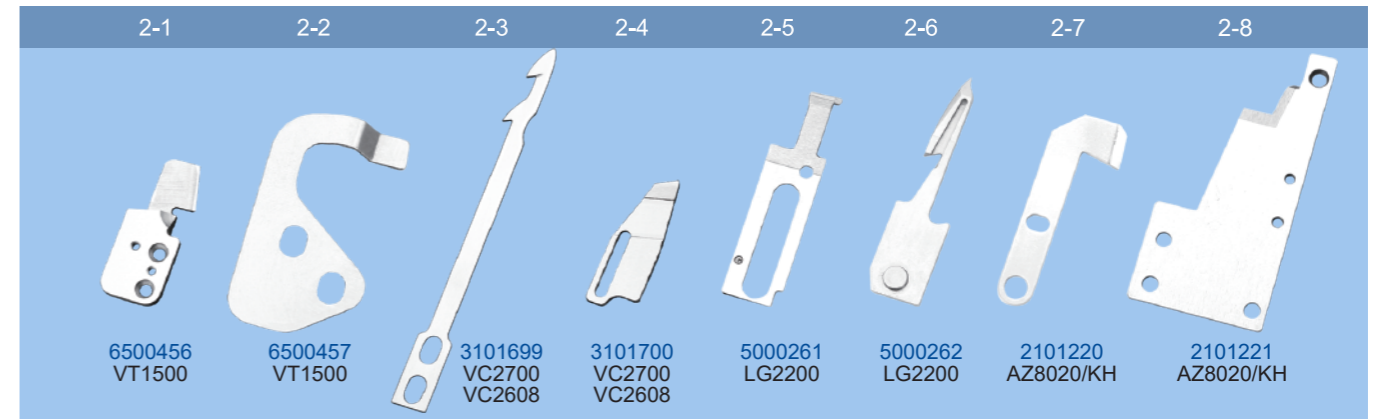
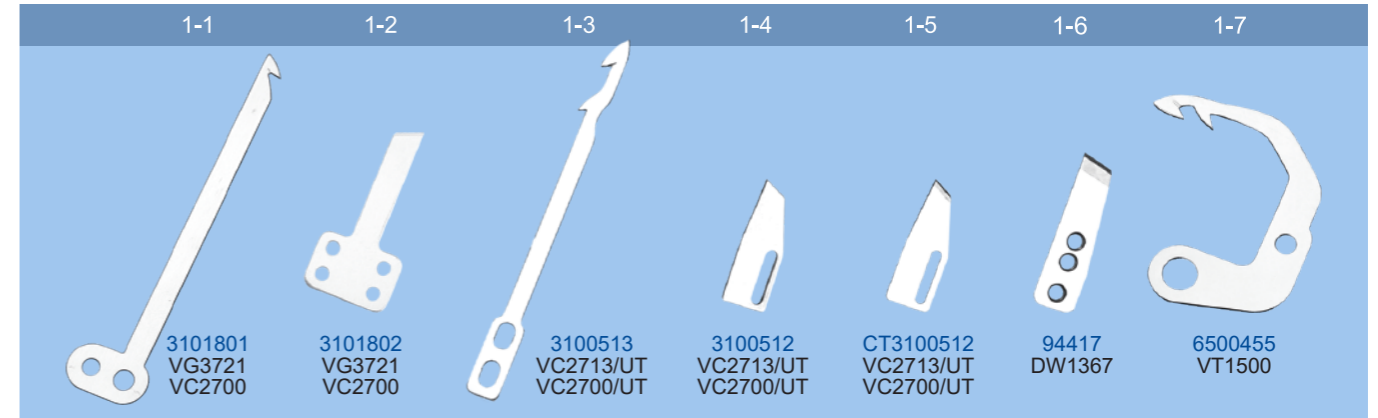


# 工业缝纫机刀类

KNIVES FOR INDUSTRIAL SEWING MACHINES

INDUSTRIAL SEWING MACHINES SPARE PARTS

## FOR YAMATO/大和



# 工业缝纫机刀类

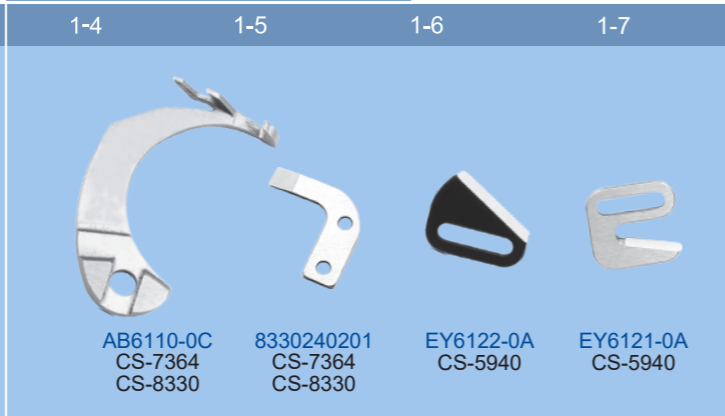
KNIVES FOR INDUSTRIAL SEWING MACHINES

INDUSTRIAL SEWING MACHINES SPARE PARTS

## FOR TAG SEWING CUTTER/吊牌切钉刀



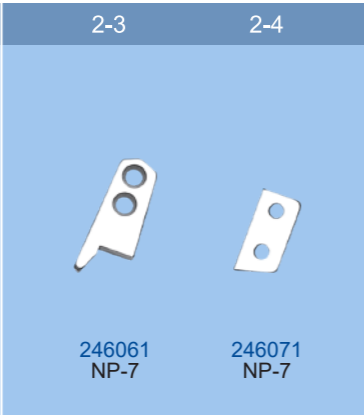
## FOR GOLDEN WHEEL/金轮



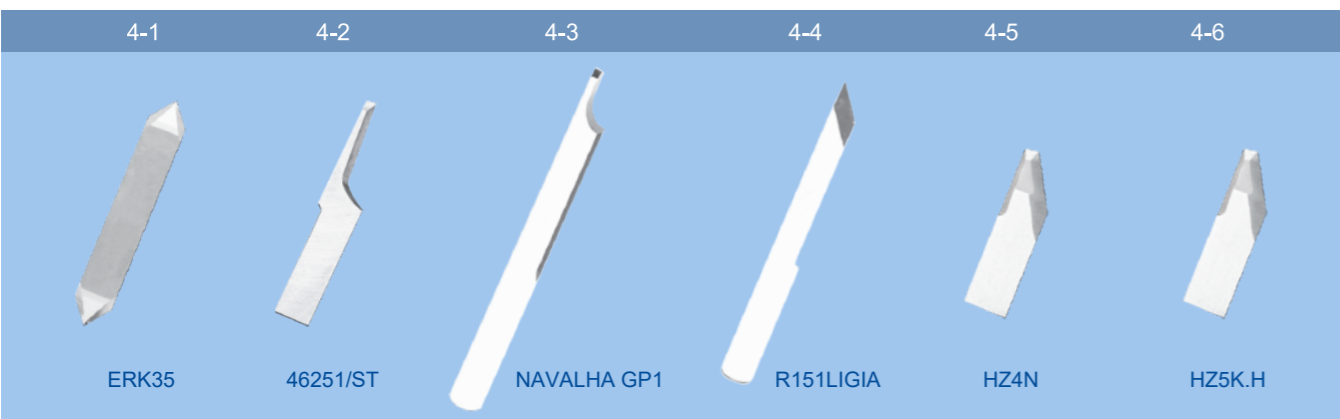
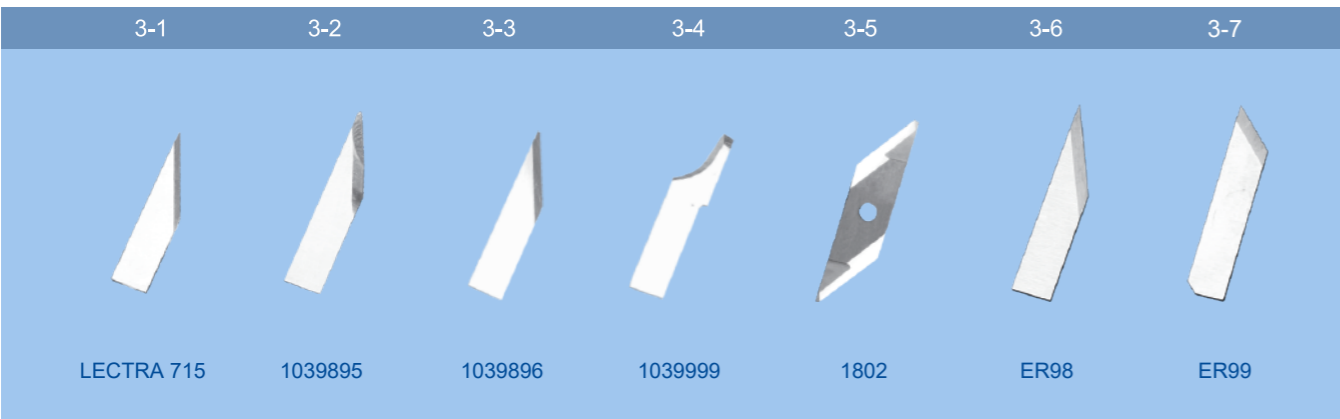
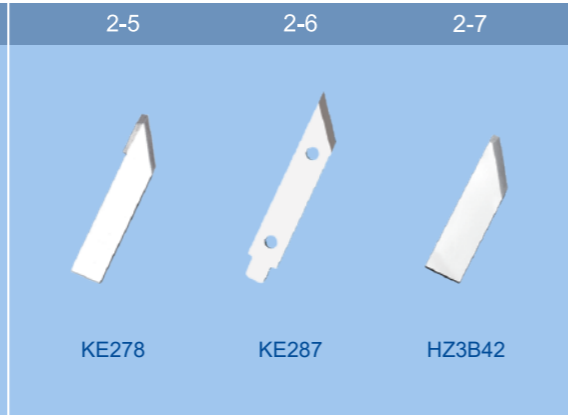
## FOR YAO HAN/耀翰



## FOR NEWLONG/纽朗



## VIBRATION CUTTER/振动刀

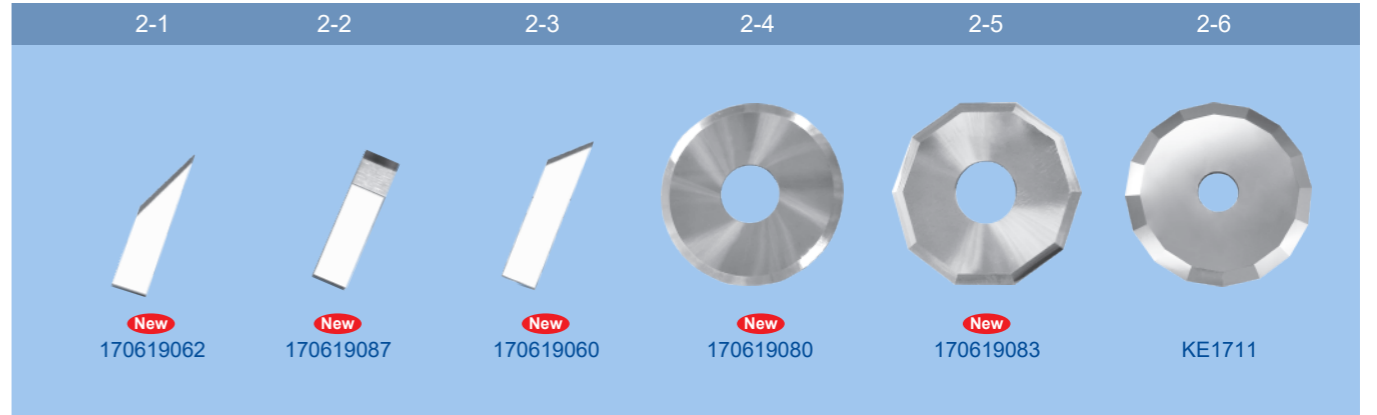
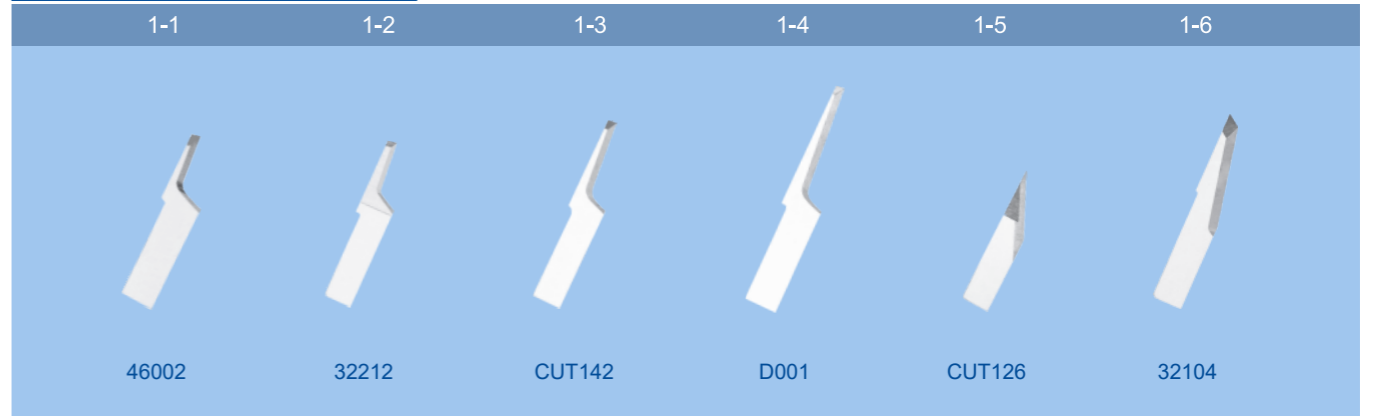


# 工业缝纫机刀类

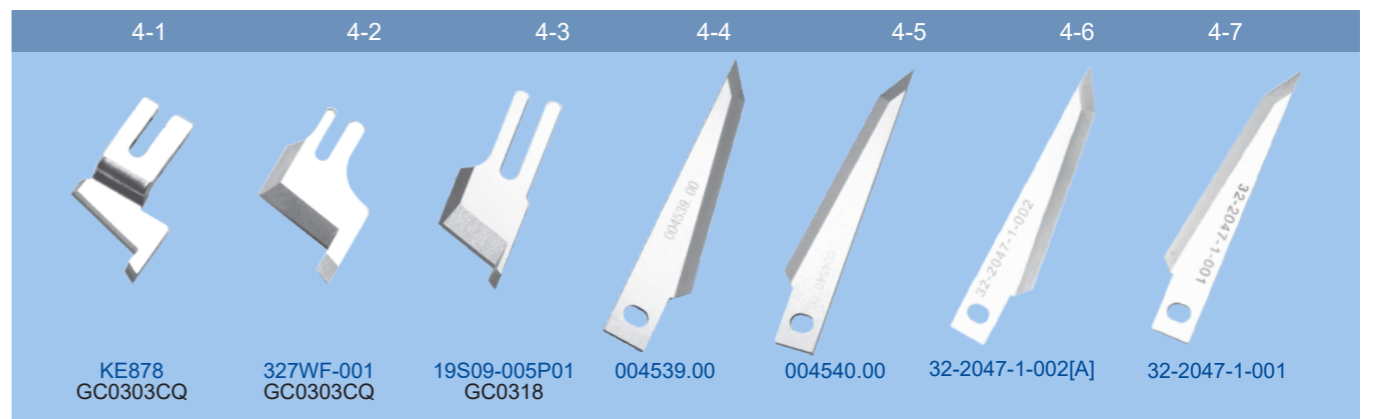
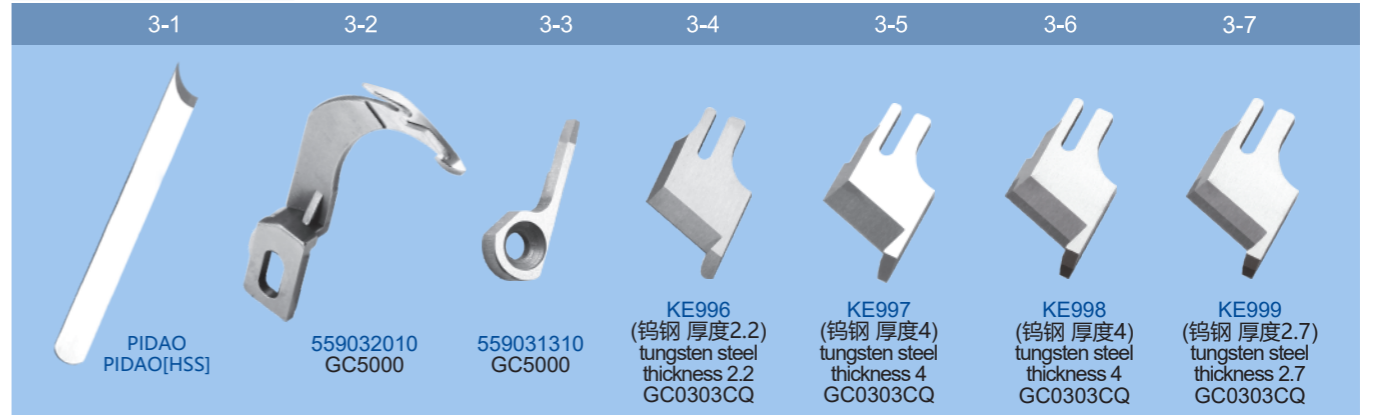
KNIVES FOR INDUSTRIAL SEWING MACHINES

INDUSTRIAL SEWING MACHINES SPARE PARTS

## VIBRATION CUTTER/振动刀



## FOR OTHERS/其他

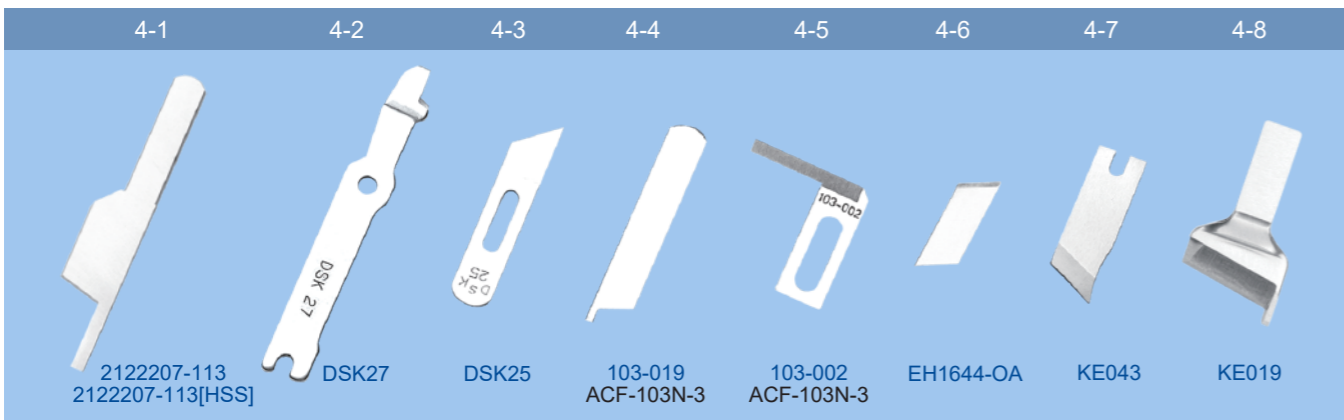
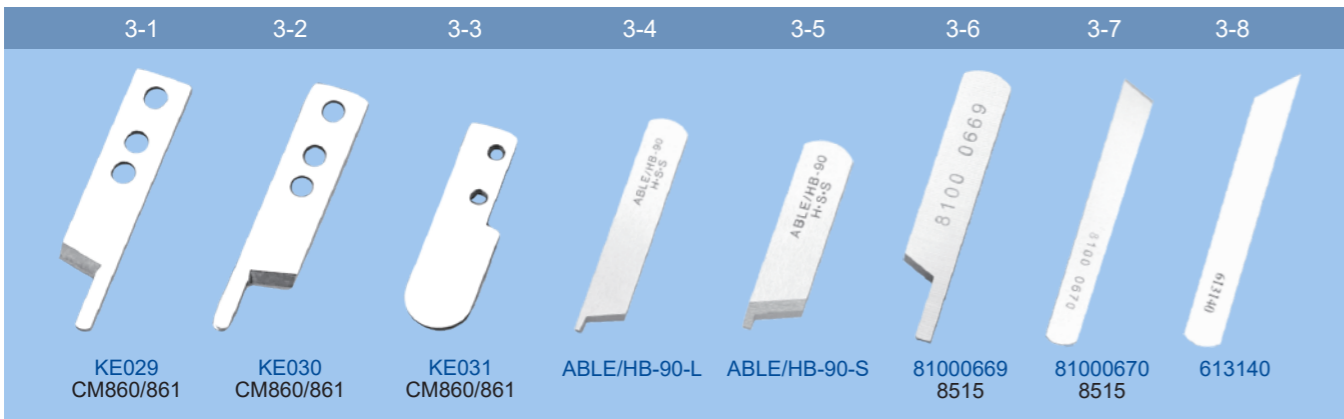
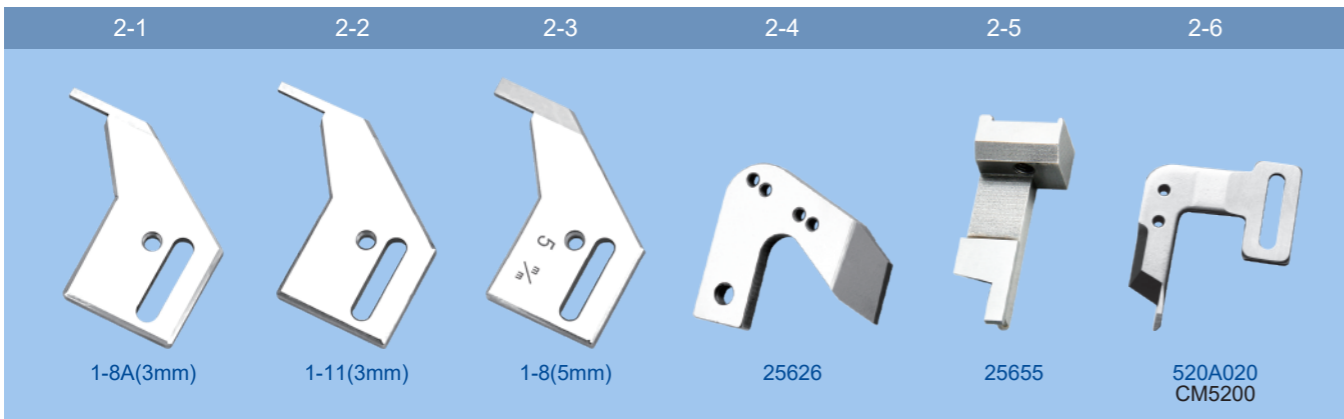
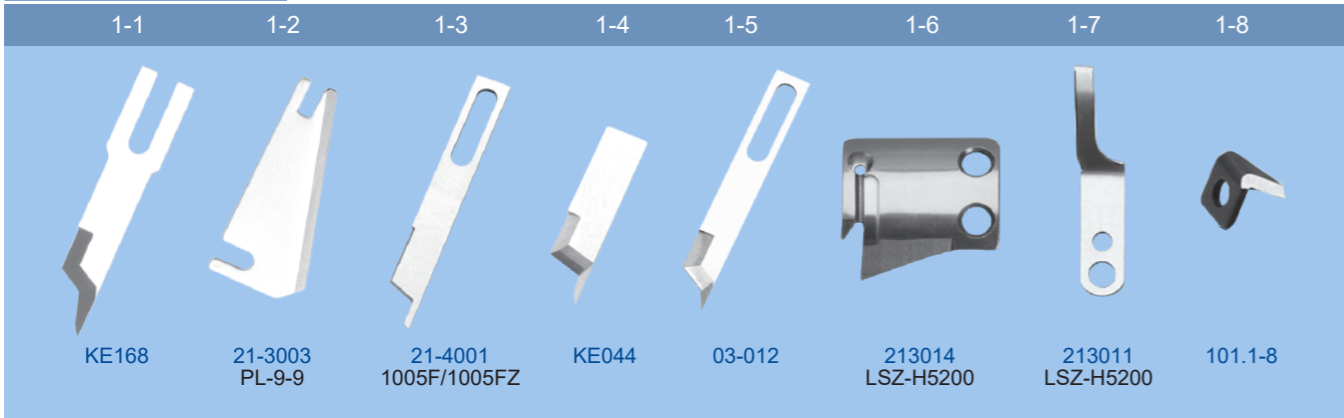


# 工业缝纫机刀类

KNIVES FOR INDUSTRIAL SEWING MACHINES

INDUSTRIAL SEWING MACHINES SPARE PARTS

## FOR OTHERS/其他

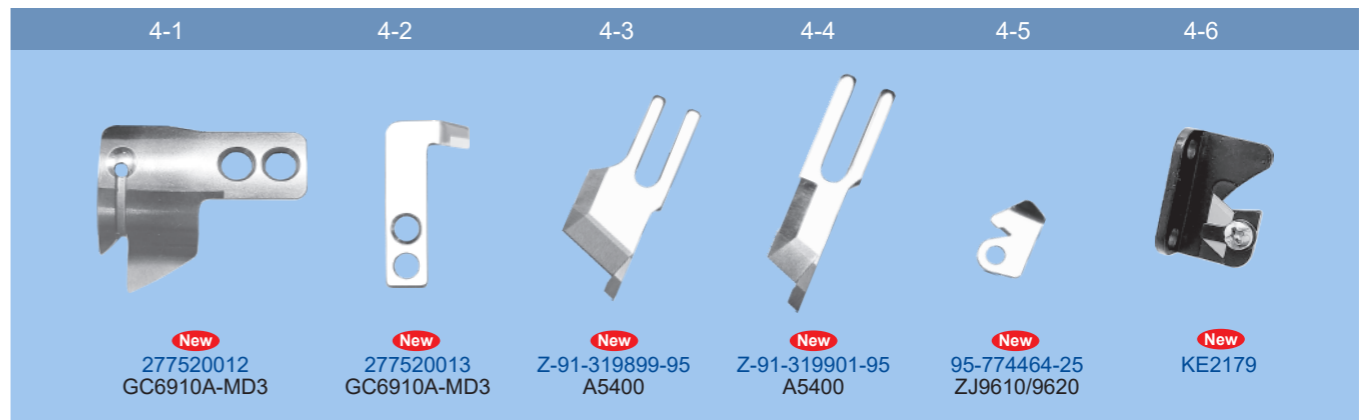
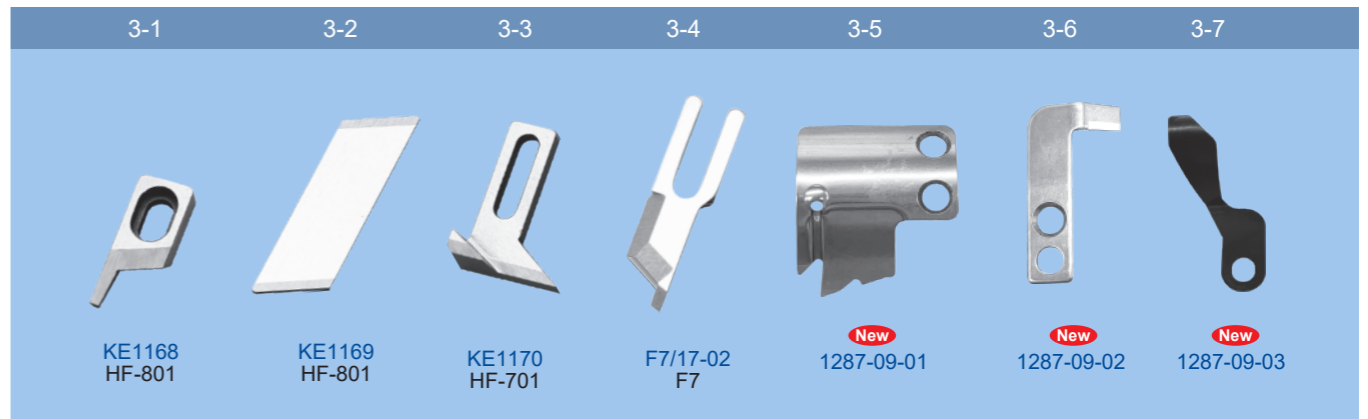
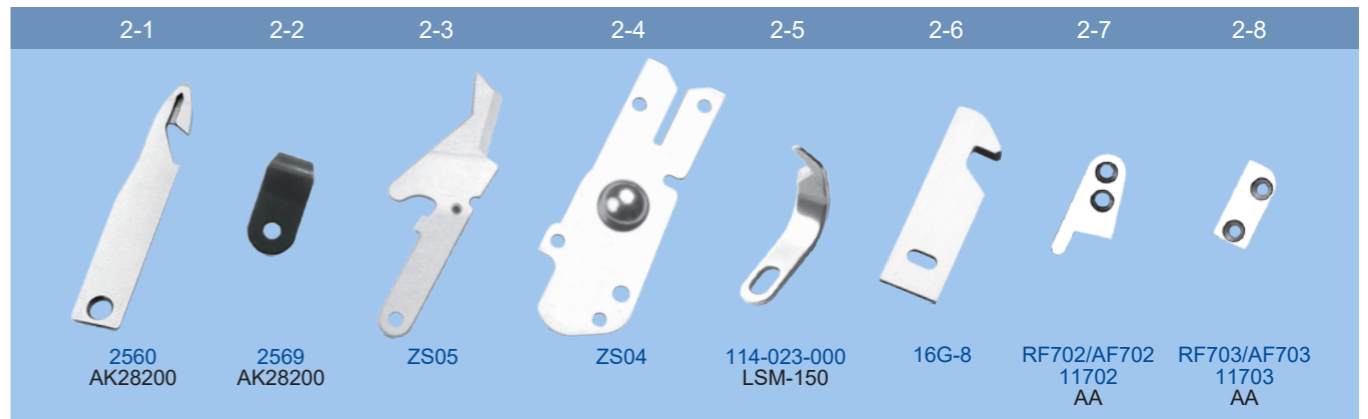
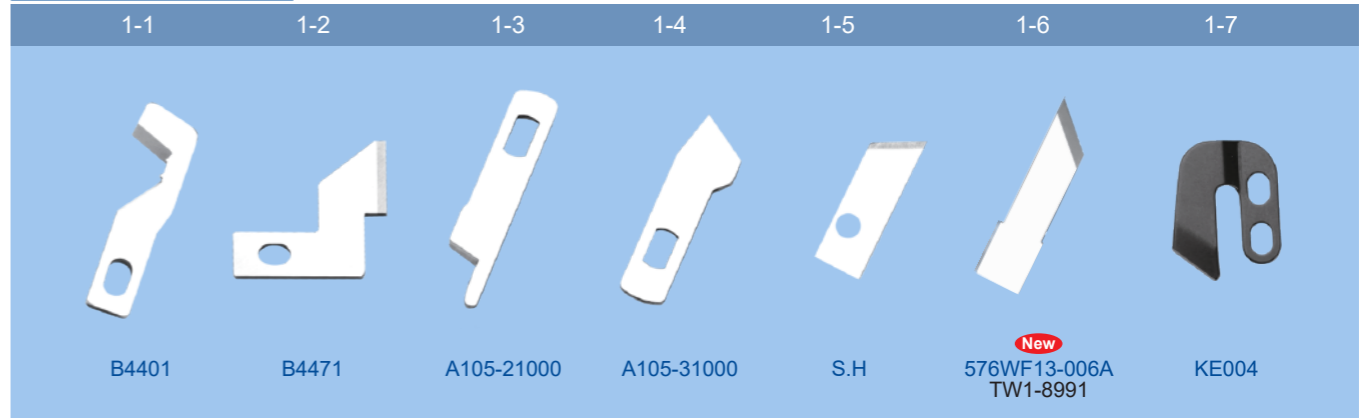


# 工业缝纫机刀类

KNIVES FOR INDUSTRIAL SEWING MACHINES

INDUSTRIAL SEWING MACHINES SPARE PARTS

## FOR OTHERS/其他

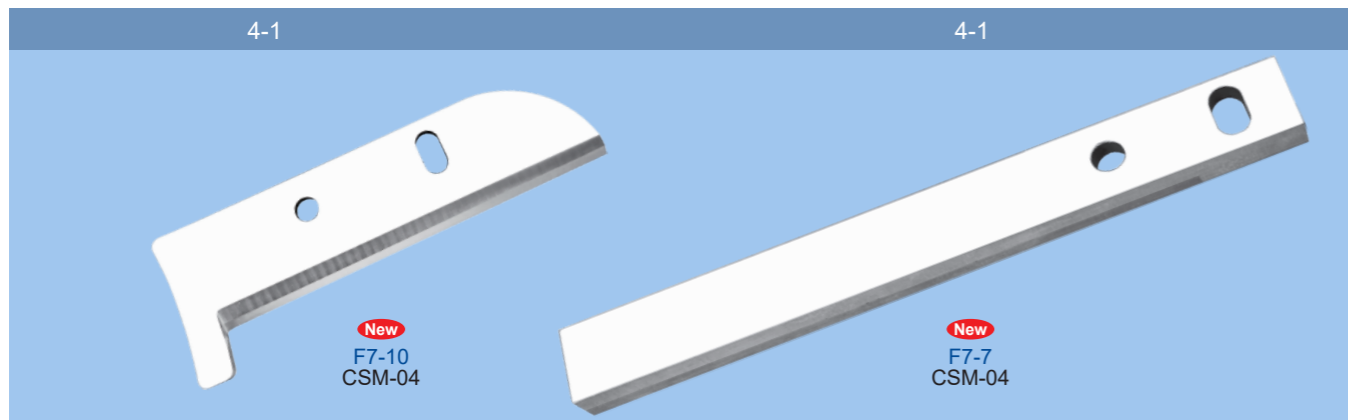
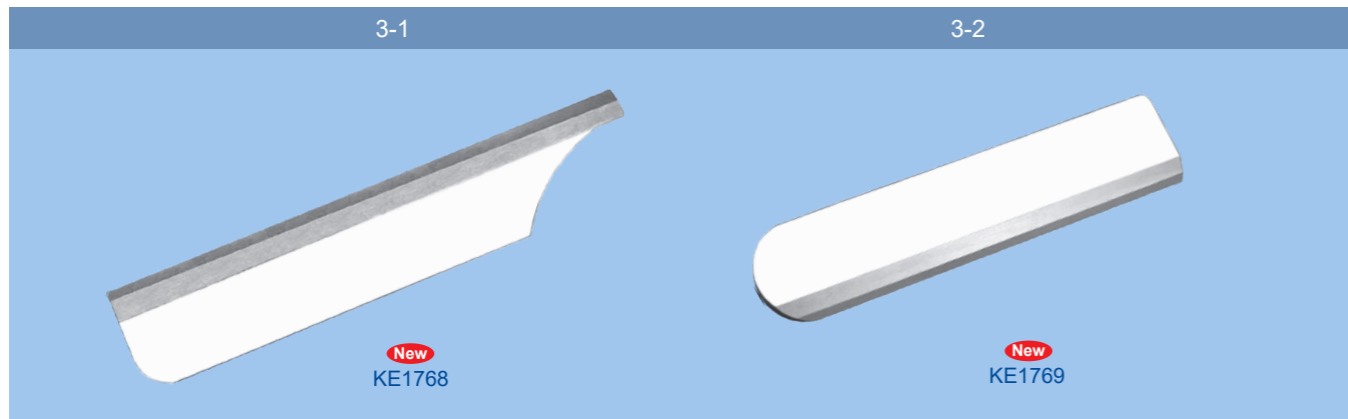
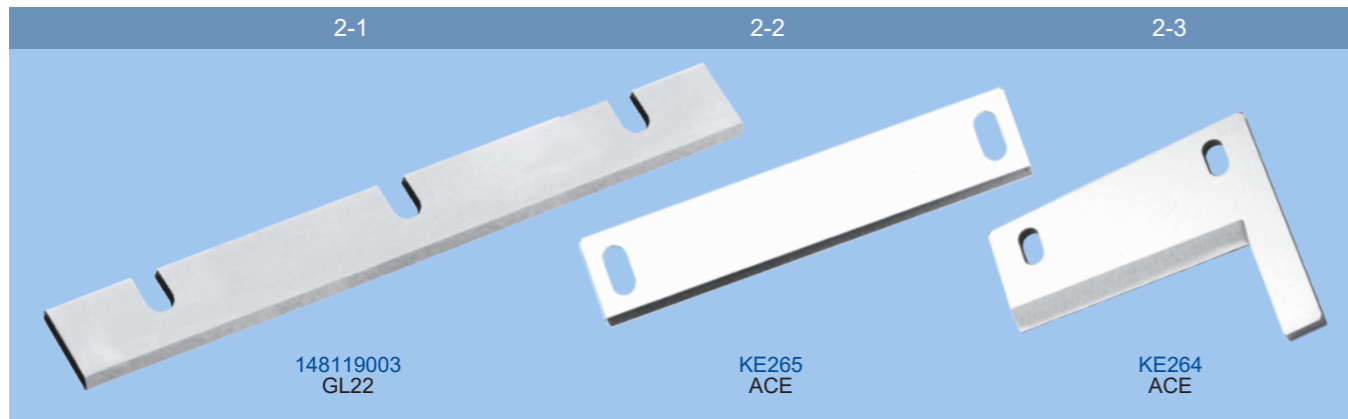
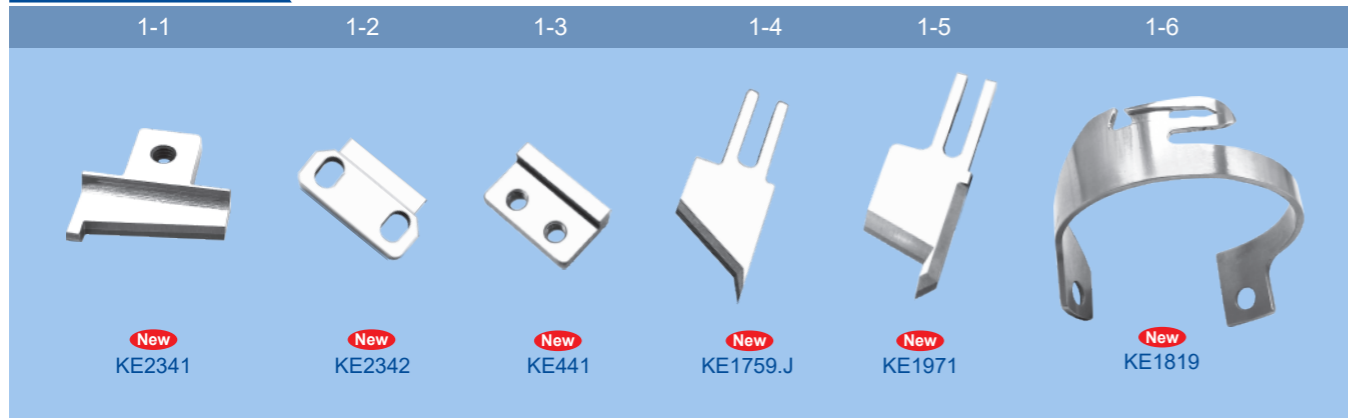


# 工业缝纫机刀类

KNIVES FOR INDUSTRIAL SEWING MACHINES

INDUSTRIAL SEWING MACHINES SPARE PARTS

## FOR OTHERS/其他

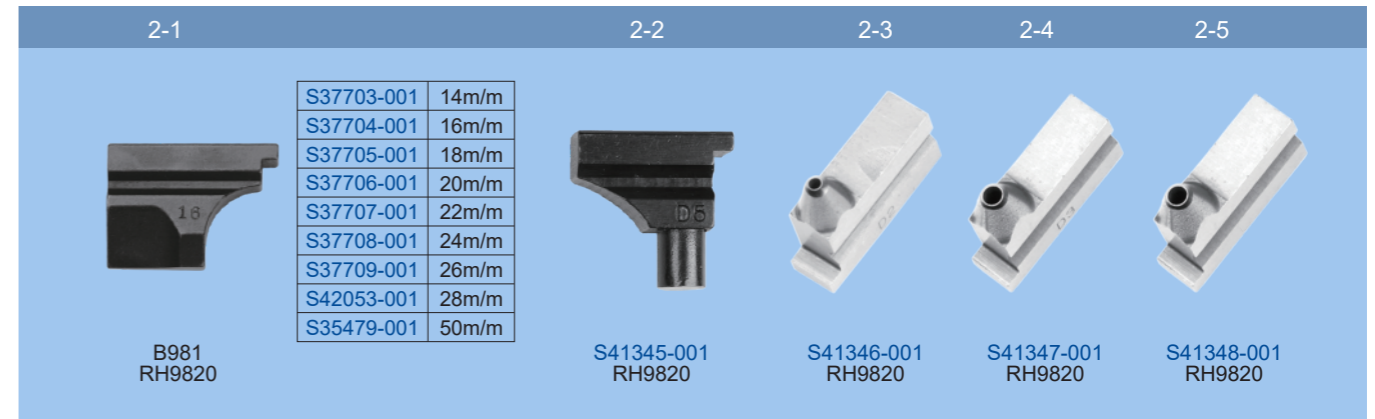
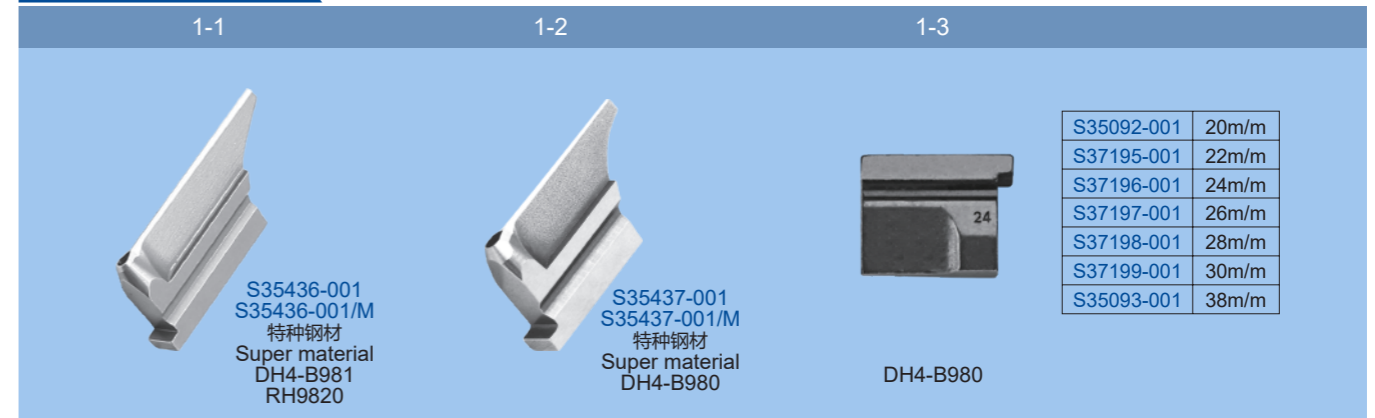


# 工业缝纫机刀类

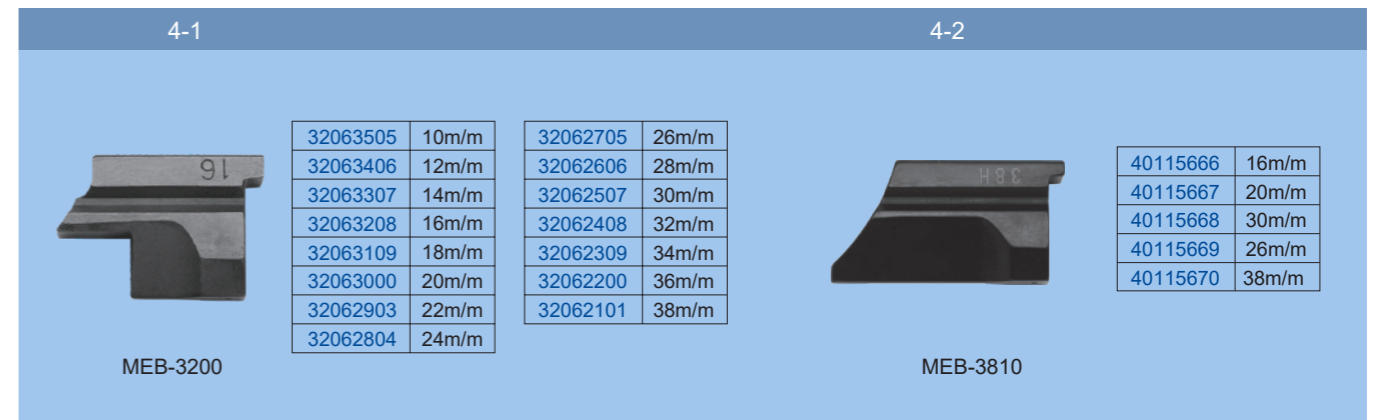
KNIVES FOR INDUSTRIAL SEWING MACHINES

INDUSTRIAL SEWING MACHINES SPARE PARTS

## FOR BROTHER/兄弟



## FOR JUKI/重机


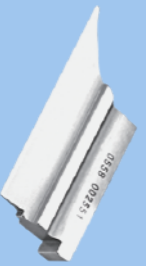

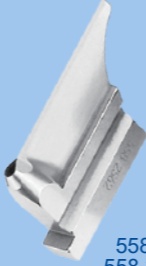
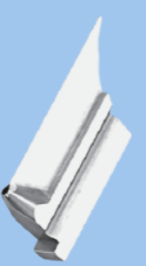






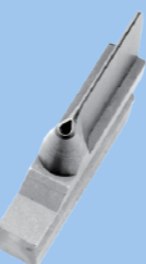
# 工业缝纫机刀类





KNIVES FOR INDUSTRIAL SEWING MACHINES

INDUSTRIAL SEWING MACHINES SPARE PARTS

## FOR DURKOPP/杜克普

1-1	1-2	1-3	1-4	1-5
				
557 1677	558 2551 558	558 2561 557	558 2562 558 2562/M 特种钢材 Super material 557	558 2563 558

2-1	2-2	2-3	2-4	2-5
				
558 2564 558 2564/M 特种钢材 Super material 558	578 3363 578	578 3365 578	0580 330390 559	0580 330380 559

3-1	3-2	3-3	3-4
			
5783366	605340	548804	558

558 2406	18m/m
558 2407	20m/m
558 2408	22m/m
558 2409	24m/m
558 2410	26m/m
558 2411	28m/m
558 2412	30m/m
558 2413	34m/m
558 2414	38m/m

4-1	4-2
	
559	578

0580 330040	16m/m
0580 330050	18m/m
0580 330060	20m/m
0580 330070	22m/m
0580 330080	24m/m
0580 330090	26m/m
0580 330100	28m/m
0580 330110	30m/m
0580 330120	32m/m
0580 330130	34m/m
0580 330140	36m/m
0580 330150	38m/m



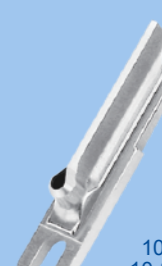
578 3283	14m/m
578 3284	16m/m
578 3285	18m/m
578 3286	20m/m
578 3287	22m/m
578 3288	24m/m
578 3289	26m/m
578 3290	28m/m
578 3291	30m/m
578 3292	32m/m
578 3293	34m/m
578 3294	36m/m




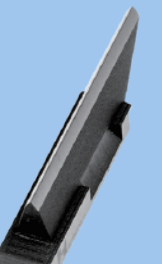
# 工业缝纫机刀类

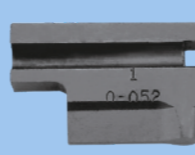

KNIVES FOR INDUSTRIAL SEWING MACHINES

INDUSTRIAL SEWING MACHINES SPARE PARTS

## FOR LSM/利华

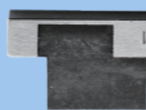

1-1	1-2	FOR REECE/利是														
																
113-043-000 LSM-150	<table border="1"> <tr><td>111-150-000</td><td>13m/m</td></tr> <tr><td>111-151-000</td><td>16m/m</td></tr> <tr><td>111-152-000</td><td>19m/m</td></tr> <tr><td>111-153-000</td><td>22m/m</td></tr> <tr><td>111-154-000</td><td>25m/m</td></tr> <tr><td>111-155-000</td><td>28m/m</td></tr> <tr><td>111-156-000</td><td>32m/m</td></tr> </table>	111-150-000	13m/m	111-151-000	16m/m	111-152-000	19m/m	111-153-000	22m/m	111-154-000	25m/m	111-155-000	28m/m	111-156-000	32m/m	10-3072-0-024 10-3072-0-024/M 特种钢材 Super material 101
111-150-000	13m/m															
111-151-000	16m/m															
111-152-000	19m/m															
111-153-000	22m/m															
111-154-000	25m/m															
111-155-000	28m/m															
111-156-000	32m/m															

2-1	2-2	2-3	2-4
			
10-3072-0-014 10-3072-0-014/M 特种钢材 Super material 101	17-0064-5-864 3/5CA 100	17-0064-5-864 3/5CB 100	17-0064-5-863

3-1	3-2
	
101	100

10-1069-0-051	7/8"
10-1069-0-052	1"
10-1069-0-054	1 1/4"
10-1069-0-055	1 3/8"
10-1069-0-056	1 1/2"
10-1069-0-060	2"

17-0064-5-951	13m/m
17-0064-5-849	16m/m
17-0064-5-852	22m/m
17-0064-5-854	26m/m
17-0064-5-855	29m/m
17-0064-5-856	32m/m
17-0064-5-858	38m/m

4-1	4-2
	
100	104

REECE10018MM
REECE10019MM
REECE10020MM
REECE10024MM
REECE10029MM
REECE10030MM
REECE10035MM

10-1069-0-001	1/2"
10-1069-0-002	5/8"
10-1069-0-003	3/4"
10-1069-0-004	7/8"
10-1069-0-005	1"
10-1069-0-006	1 1/8"
10-1069-0-007	1 1/4"

# 工业缝纫机刀类

KNIVES FOR INDUSTRIAL SEWING MACHINES

INDUSTRIAL SEWING MACHINES SPARE PARTS

## FOR SINGER/胜家

1-1



299U

548762	1/2"
548763	5/8"
548764	3/4"
548765	7/8"
548766	1"
548767	1 1/8"
548768	1 1/4"
548769	1 3/8"
548770	1 1/2"
548771	1 5/8"

1-2



299U

548752	1/2"
548753	5/8"
548754	3/4"
548755	7/8"
548756	1"
548757	1 1/8"
548758	1 1/4"
548759	1 3/8"
548760	1 1/2"
548761	1 5/8"

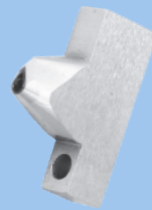
## FOR JACK/杰克

2-1



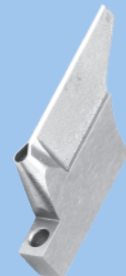
JK-T580-01-28-016  
JK-580

2-2



JK-T580-01-28-017  
JK-580

2-3



JK-T580-01-28-018  
JK-580

# 工业缝纫机刀类

KNIVES FOR INDUSTRIAL SEWING MACHINES

INDUSTRIAL SEWING MACHINES SPARE PARTS

## 包缝机自动剪线刀类系列

FOR OVERLOCK AUTO TRIMMER KNIVES

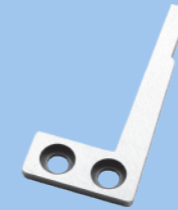
## FOR JACK/杰克

1-1



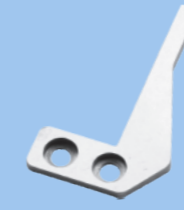
20119008  
JK768E

1-2



20619012  
JK788E

1-3



20619011  
JK788E

1-4



20719006  
JK-798DIII

1-5



20719004  
JK798AT

## FOR JUKI/重机

2-1



21119007  
C4-X

2-2



21119007.F  
C4-X

2-3



20719003-A  
JK768/788/798

2-4



MAT-00505000  
MO-2000N

2-5



MAT-00504000-A  
MO-2000N

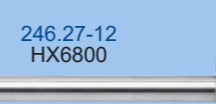
## FOR HIKARI/富山

3-1



246.27-11  
HX6800

3-2



246.27-12  
HX6800

## FOR SIRUBA/银箭

3-3



EC05  
700K

3-4



EC02  
700K

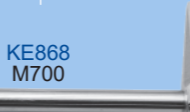
## FOR PEGASUS/飞马

4-1



KE869  
M700

4-2



KE868  
M700

4-3



304291A  
M952/AT

4-4



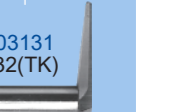
308002A  
TK020

4-5



301138  
E32(TK)

4-6



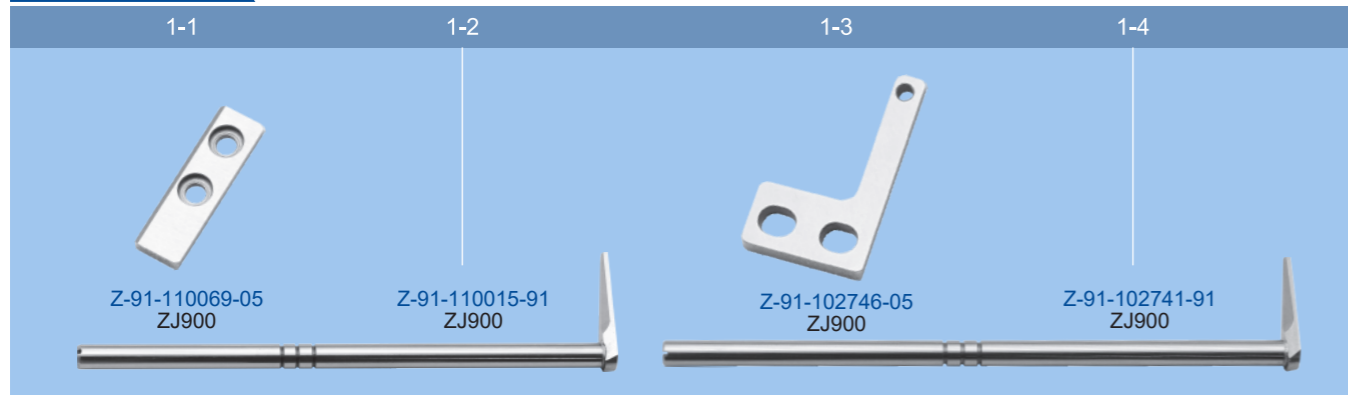
303131  
E32(TK)

# 工业缝纫机刀类

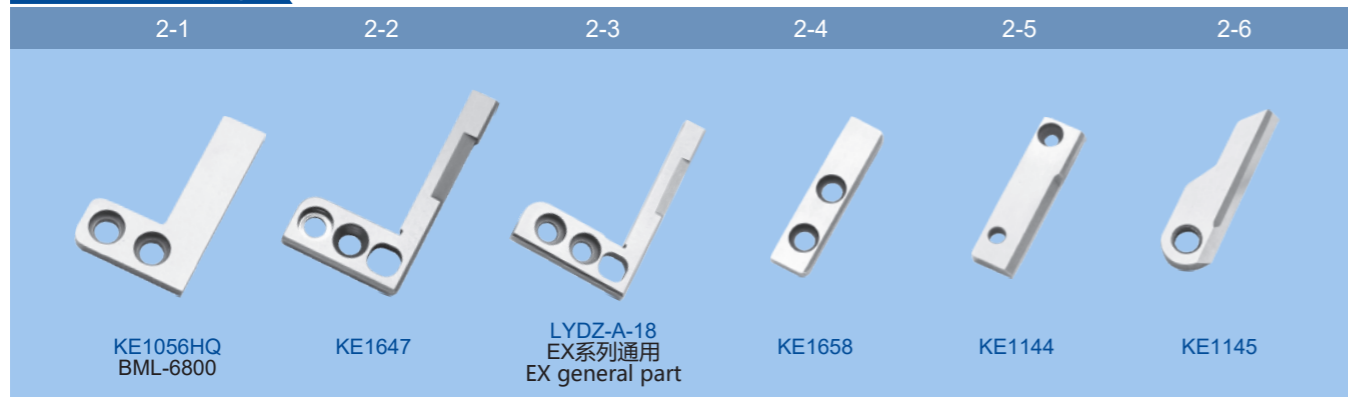
KNIVES FOR INDUSTRIAL SEWING MACHINES

INDUSTRIAL SEWING MACHINES SPARE PARTS

## FOR ZOJE/中捷



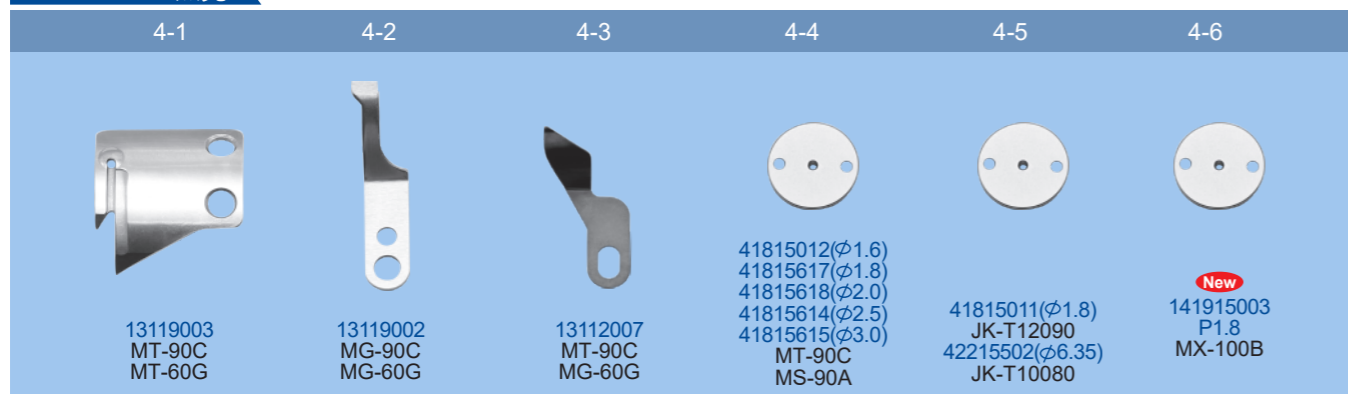
## FOR OTHERS/其他



## 自动模板机系列

FOR AUTO PATTEN SEWING MACHINE SPARE PARTS

## FOR JACK/杰克

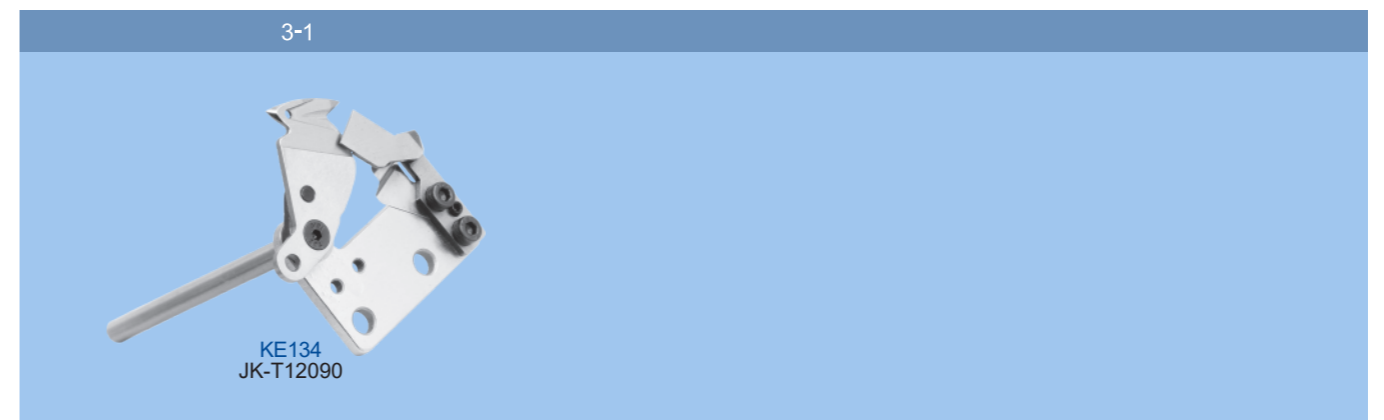
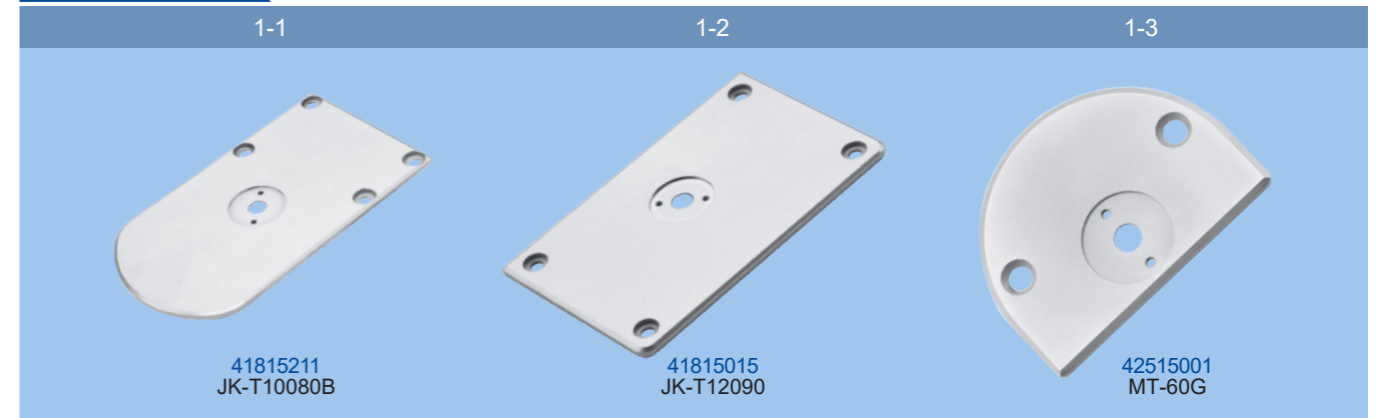


# 工业缝纫机刀类

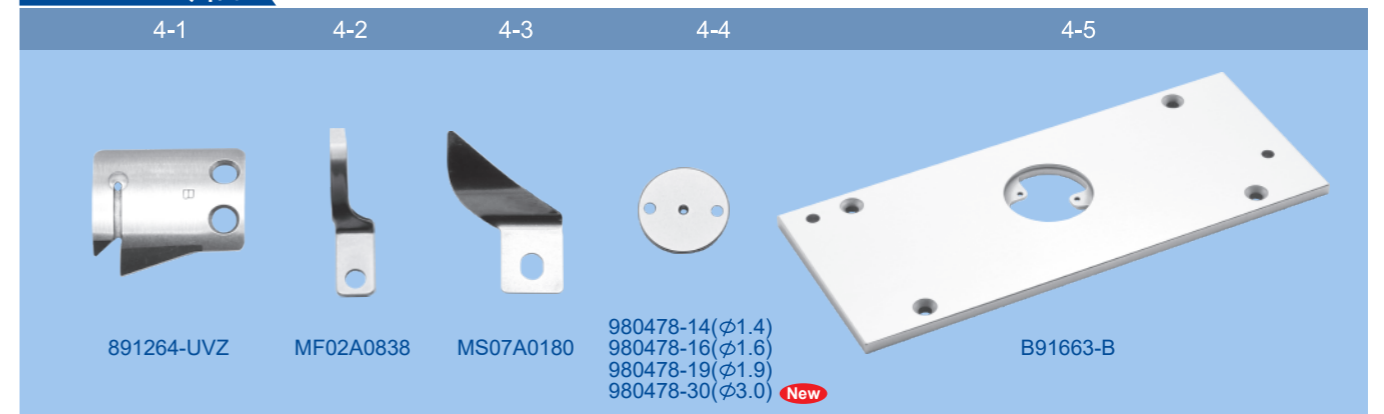
KNIVES FOR INDUSTRIAL SEWING MACHINES

INDUSTRIAL SEWING MACHINES SPARE PARTS

## FOR JACK/杰克



## FOR JUITA/川田



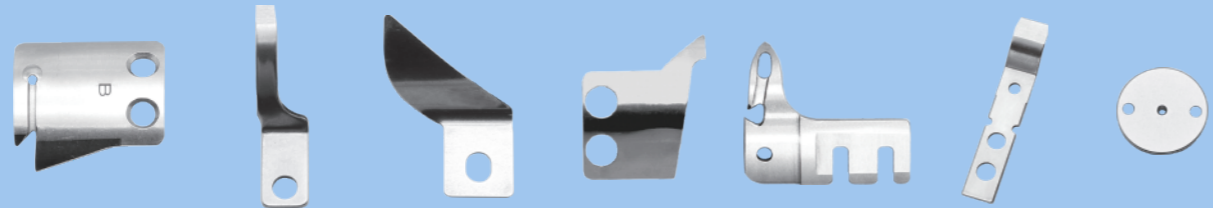
# 工业缝纫机刀类

KNIVES FOR INDUSTRIAL SEWING MACHINES

INDUSTRIAL SEWING MACHINES SPARE PARTS

## FOR MAQI/美机

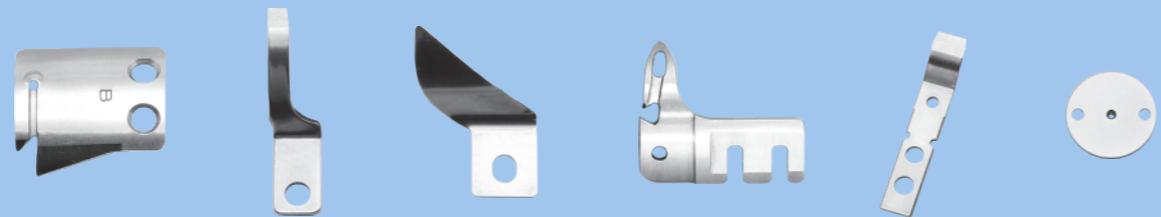
1-1      1-2      1-3      1-4      1-5      1-6      1-7



PFM010803 M8-80      PF03030828 M8-80      PF03030825 M8-80      PFM90804 M8-80      PFMJ0824 M928      PFMJ0826 M928      PFM90143(φ1.4) PFM90143A(φ2.0) M928

## FOR NANBANG/南邦

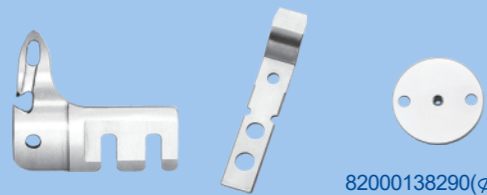
2-1      2-2      2-3      2-4      2-5      2-6



Q21-004      Q21-033      Q21-036      0281 350300      0281 350310      7024029(φ1.6) 7024029-1(φ2.0)

## FOR NICERBA/耐拓

3-1      3-2      3-3



0281350300 NT-8200      0281 350310 NT-8200      82000138290(φ1.4) 82000170290(φ2.4) 82000171290(φ3.0) 82000172290(φ3.5) NT-8200

## FOR ZOJE/中捷

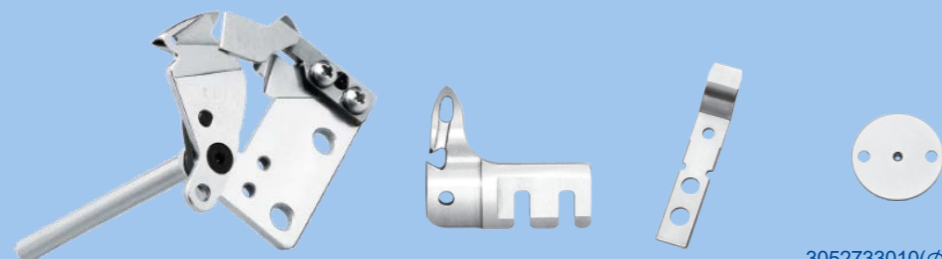
3-4      3-5      3-6      3-7



Z-91-192330-05 ZJ-AM5      S02637-001 ZJ-AM5      S02643-001 ZJ-AM5      Z-91-383538-35(φ1.4) Z-91-188732-35(φ1.6) Z-91-192107-35(φ2.0) ZJ-AM5

## FOR DOSO/大森

4-1      4-2      4-3      4-4



3052737021      3052707020      3052707016      3052733010(φ1.6) 3052733009(φ2.0) 3052733020(φ3.0)